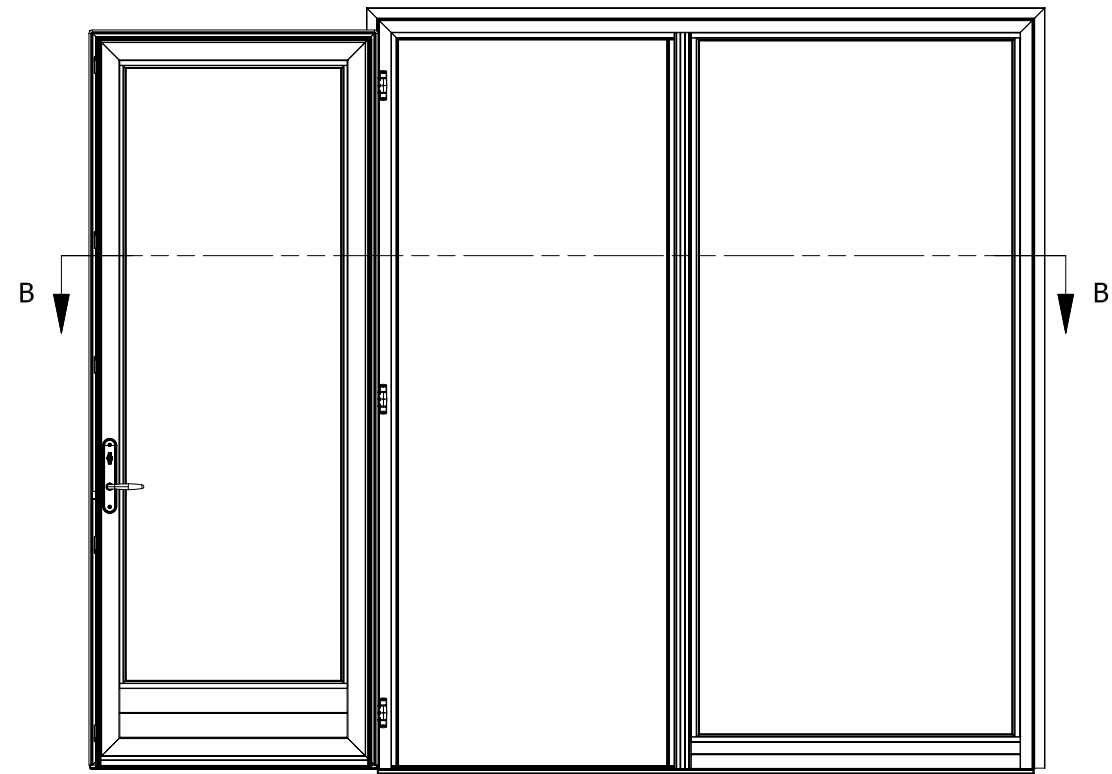
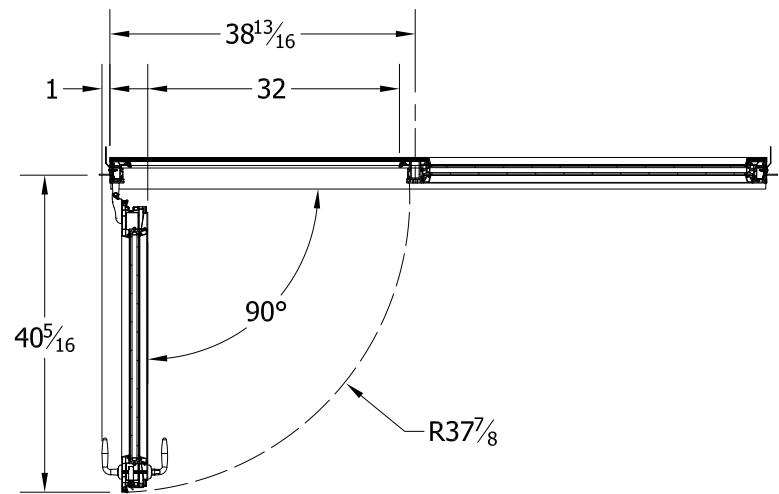


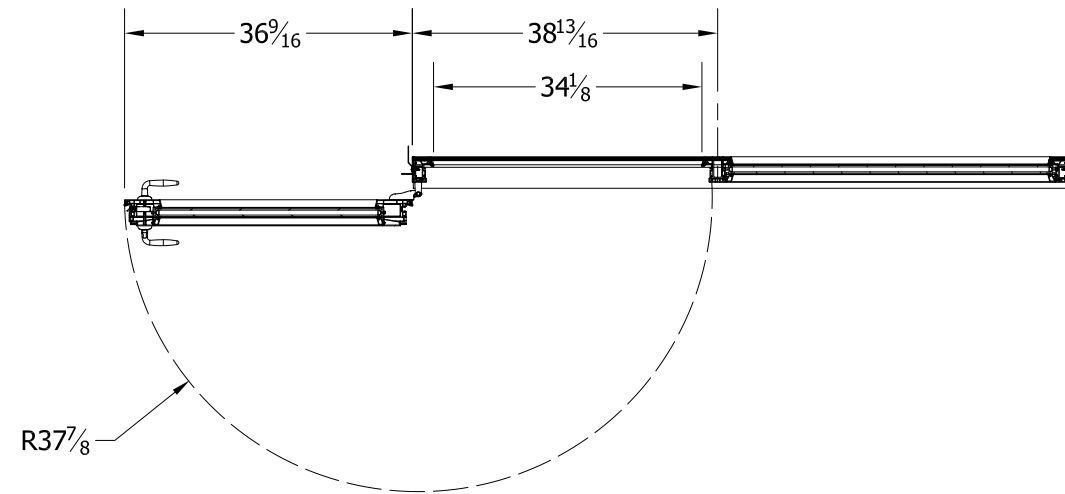
EXTERIOR  
SCALE 1/25



EXTERIOR  
SCALE 1/25



SECTION A-A  
SCALE 1/25



SECTION B-B  
SCALE 1/25

<b>TOLERANCE</b> DECIMAL X.X ± 0.100 X.XX ± 0.025 X.XXX ± 0.005 FRACTIONAL X/X ± 1/32 ANGULAR X ± 1.0° X.X ± 0.2°	DRAWN	Dpoutre	4/14/2020	
	CHECKED			
	APPROVED			
	SIZE	B	SCALE 1/25	SHEET 1 of 1
	PRODUCT FAMILY	1200 ENVISION		
PROJECT				

**vpi Quality Windows**  
 3420 E Ferry Ave. Spokane, WA 99202 • www.vpiwindows.com  
 THIS DOCUMENT IS PROPRIETARY AND CONFIDENTIAL. NO PART OF THIS DOCUMENT MAY BE DISCLOSED IN ANY MANNER TO A THIRD PARTY WITHOUT THE PRIOR WRITTEN CONSENT BY VPI QUALITY WINDOWS.

SHEET	HLOS-GLFX HP KP CLEAR OPENING LAYOUT	REV
-------	--------------------------------------	-----