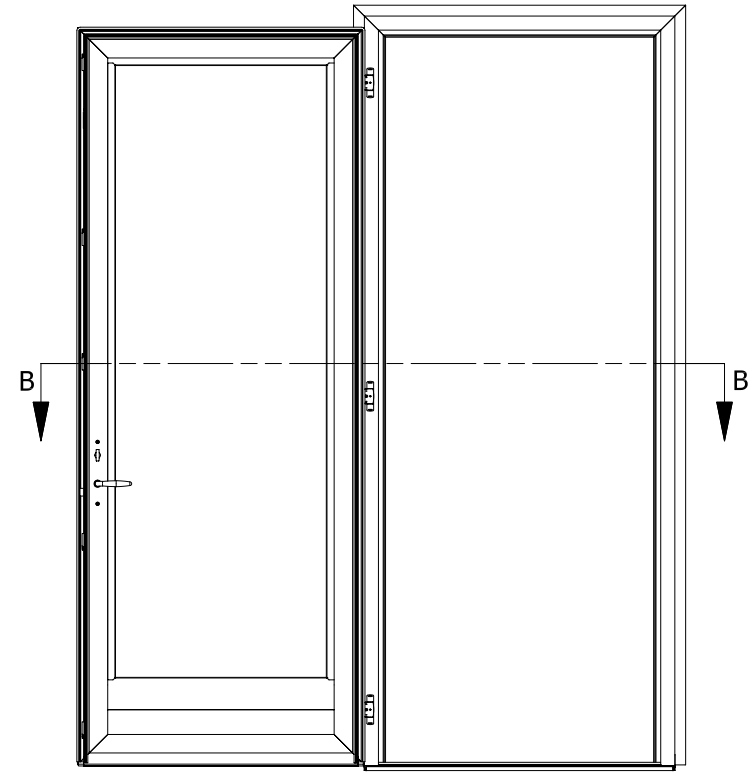
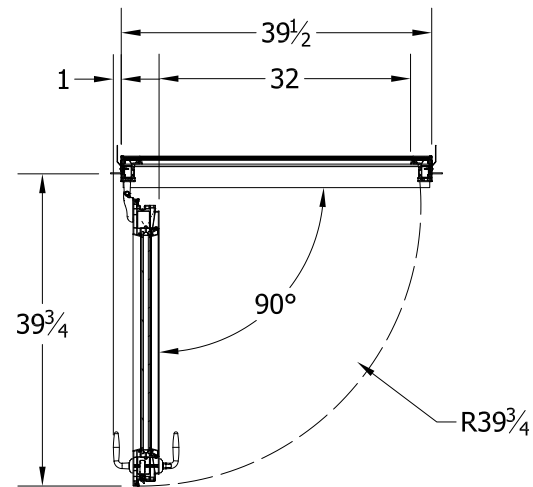


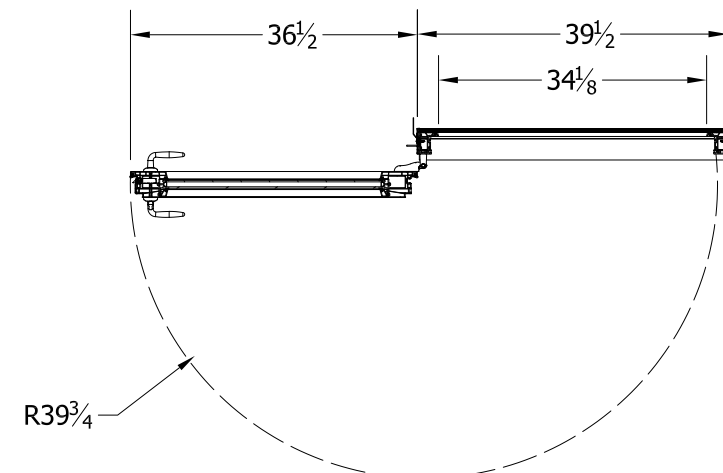
EXTERIOR VIEW
SCALE 1 / 25



EXTERIOR VIEW
SCALE 1 / 25



SECTION A-A
SCALE 1/25



SECTION B-B
SCALE 1 / 25

TOLERANCE DECIMAL X.X ± 0.100 X.XX ± 0.025 X.XXX ± 0.005 FRACTIONAL X/X ± 1/32 ANGULAR X ± 1.0° X.X ± 0.2°	DRAWN	1/15/2020	
	bpoutre		
	CHECKED		
	APPROVED		
	SIZE	B	SCALE 1 / 25
PRODUCT FAMILY	1200 ENVISION		
PROJECT			



3420 E Ferry Ave. Spokane, WA 99202 • www.vpiwindows.com
 THIS DOCUMENT IS PROPRIETARY AND CONFIDENTIAL. NO PART OF THIS DOCUMENT MAY BE DISCLOSED IN ANY MANNER TO A THIRD PARTY WITHOUT THE PRIOR WRITTEN CONSENT BY VPI QUALITY WINDOWS.

SHEET
HLOS HP CLEAR OPENING

REV
B