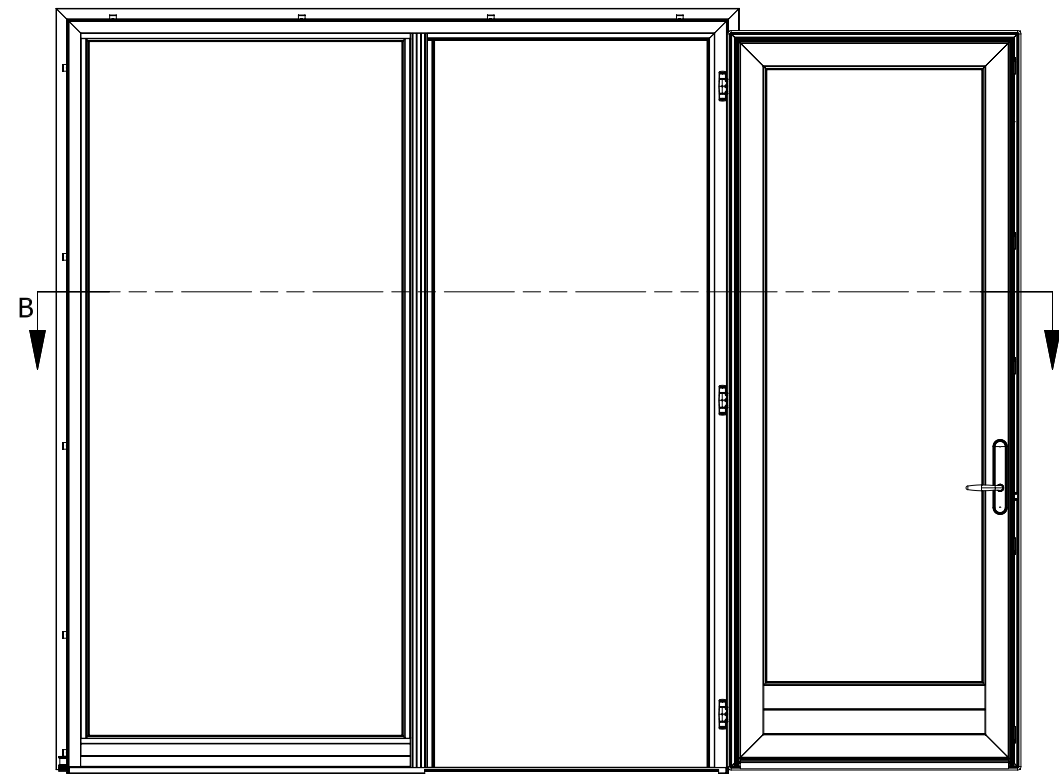
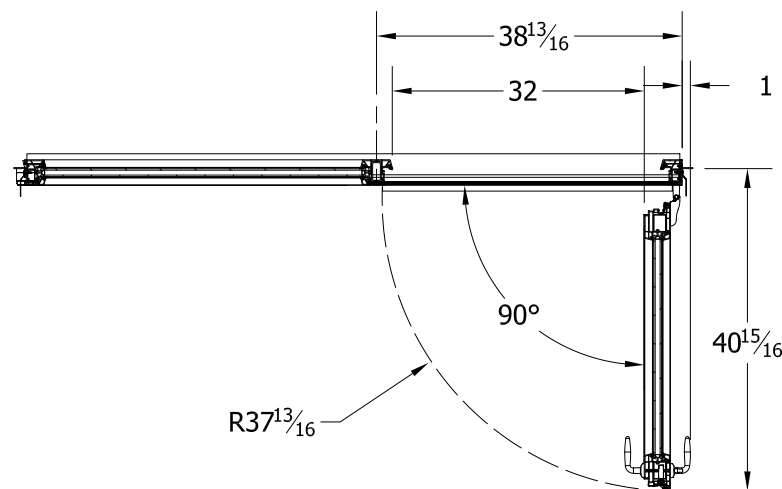


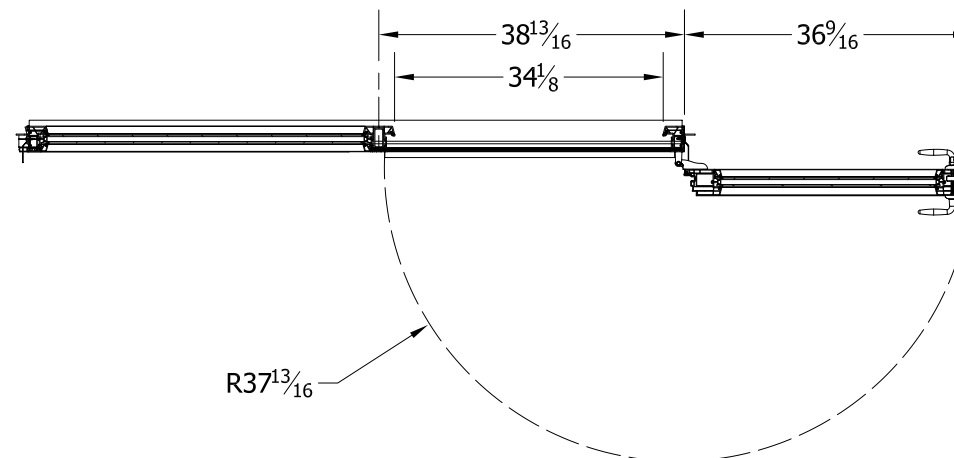
INTERIOR  
SCALE 1/25



INTERIOR  
SCALE 1/25



SECTION A-A  
SCALE 1/25



SECTION B-B  
SCALE 1/25

<b>TOLERANCE</b>	DRAWN	dpoutre	4/14/2020
	DECIMAL	CHECKED	
	X.X ± 0.100	APPROVED	
	X.XX ± 0.025	SIZE	B
	X.XXX ± 0.005	SCALE	1/25
	FRACTIONAL	SHEET	1 of 1
X/X ± 1/32	PRODUCT FAMILY	1200 ENVISION	
ANGULAR	PROJECT		
X ± 1.0°			
X.X ± 0.2°			



3420 E Ferry Ave. Spokane, WA 99202 • www.vpiwindows.com  
THIS DOCUMENT IS PROPRIETARY AND CONFIDENTIAL. NO PART OF THIS DOCUMENT MAY BE DISCLOSED IN ANY MANNER TO A THIRD PARTY WITHOUT THE PRIOR WRITTEN CONSENT BY VPI QUALITY WINDOWS.

SHEET	REV
HLIS-GLFX CLEAR OPENING LAYOUT	