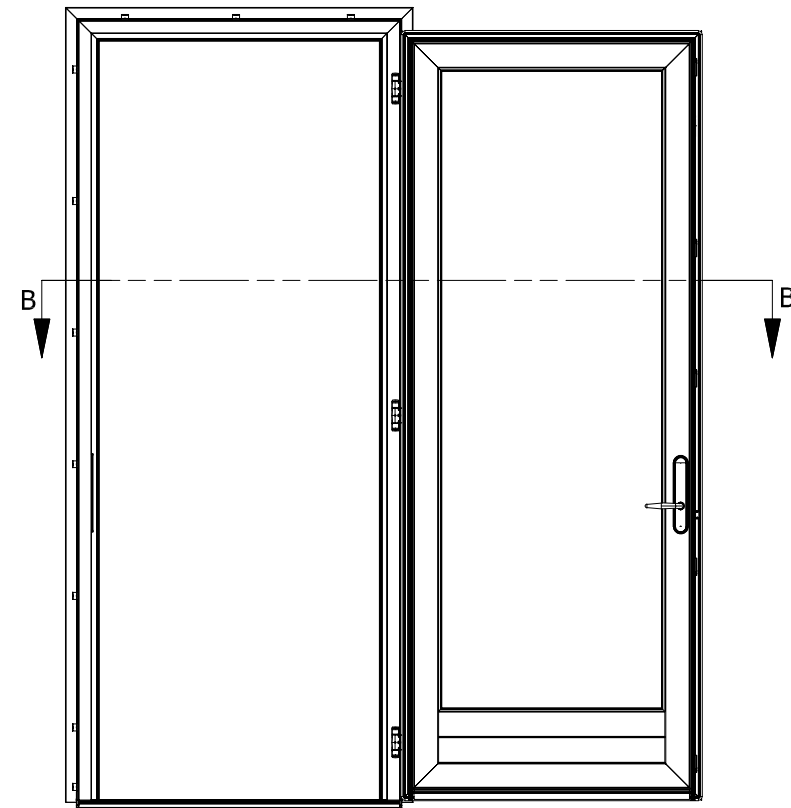
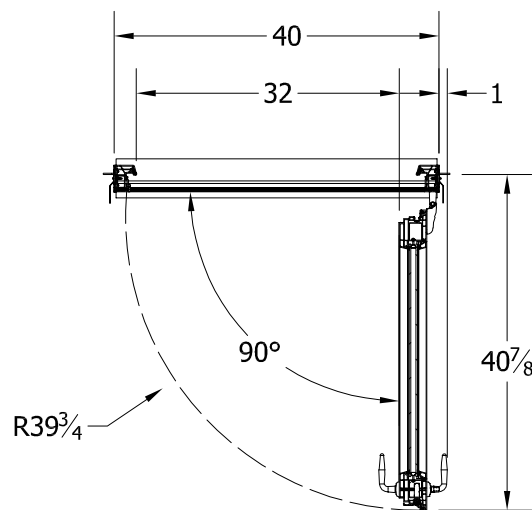


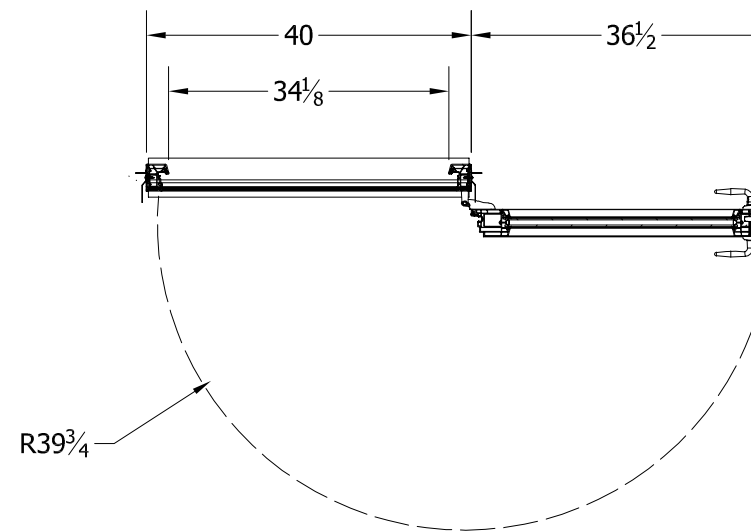
INTERIOR  
SCALE 1/24



INTERIOR  
SCALE 1/24



SECTION A-A  
SCALE 1/24



SECTION B-B  
SCALE 1/24

<b>TOLERANCE</b>	DRAWN	4/14/2020
	bpoutre	
	CHECKED	
	APPROVED	
DECIMAL X.X ± 0.100 X.XX ± 0.025 X.XXX ± 0.005	SIZE	B
	SCALE	1/24
FRACTIONAL X/X ± 1/32	SHEET	1 of 1
ANGULAR X ± 1.0° X.X ± 0.2°	PRODUCT FAMILY	1200 ENVISION
	PROJECT	



3420 E Ferry Ave. Spokane, WA 99202 • www.vpiwindows.com  
THIS DOCUMENT IS PROPRIETARY AND CONFIDENTIAL. NO PART OF THIS DOCUMENT MAY BE DISCLOSED IN ANY MANNER TO A THIRD PARTY WITHOUT THE PRIOR WRITTEN CONSENT BY VPI QUALITY WINDOWS.

SHEET  
HLIS HP CLEAR OPENING

REV