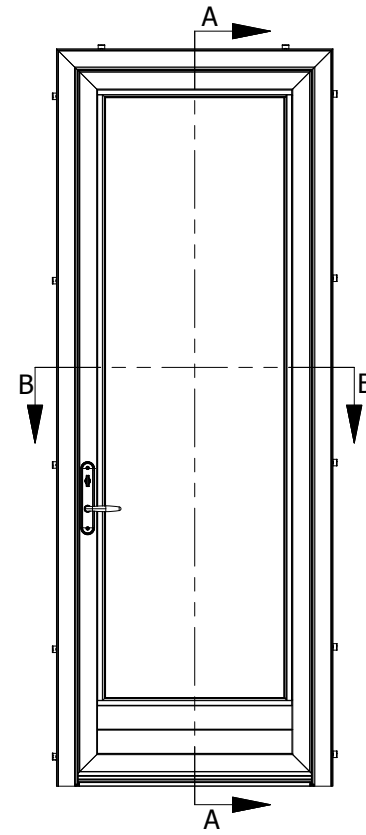
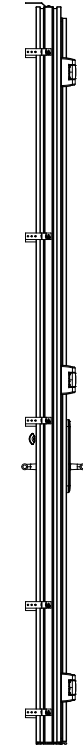


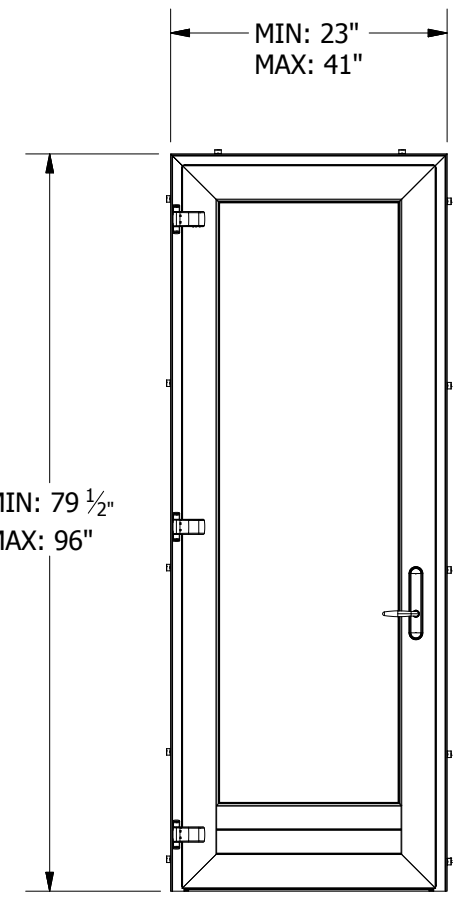
SECTION A-A
SCALE 1 / 4



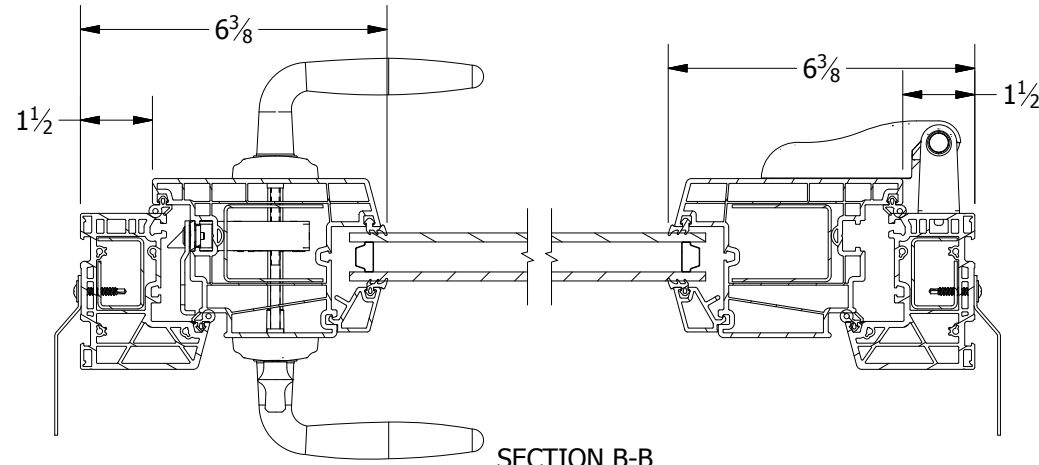
INTERIOR
SCALE 1/25



JAMB
SCALE 1/25



EXTERIOR
SCALE 1/25



SECTION B-B
SCALE 1 / 4

TOLERANCE DECIMAL X.X ± 0.100 X.XX ± 0.025 X.XXX ± 0.005 FRACTIONAL X/X ± 1/32 ANGULAR X ± 1.0° X.X ± 0.2°	DRAWN bputre	3/27/2020
	CHECKED	
	APPROVED	
	SIZE B	SCALE 1/25 SHEET 1 of 1
PRODUCT FAMILY 1200 ENVISION		
PROJECT		

3420 E Ferry Ave. Spokane, WA 99202 • www.vpiwindows.com

THIS DOCUMENT IS PROPRIETARY AND CONFIDENTIAL. NO PART OF THIS DOCUMENT MAY BE DISCLOSED IN ANY MANNER TO A THIRD PARTY WITHOUT THE PRIOR WRITTEN CONSENT BY VPI QUALITY WINDOWS.

SHEET HLOS LP KP NOFIN W/ STRAPS LAYOUT	REV
--	-----