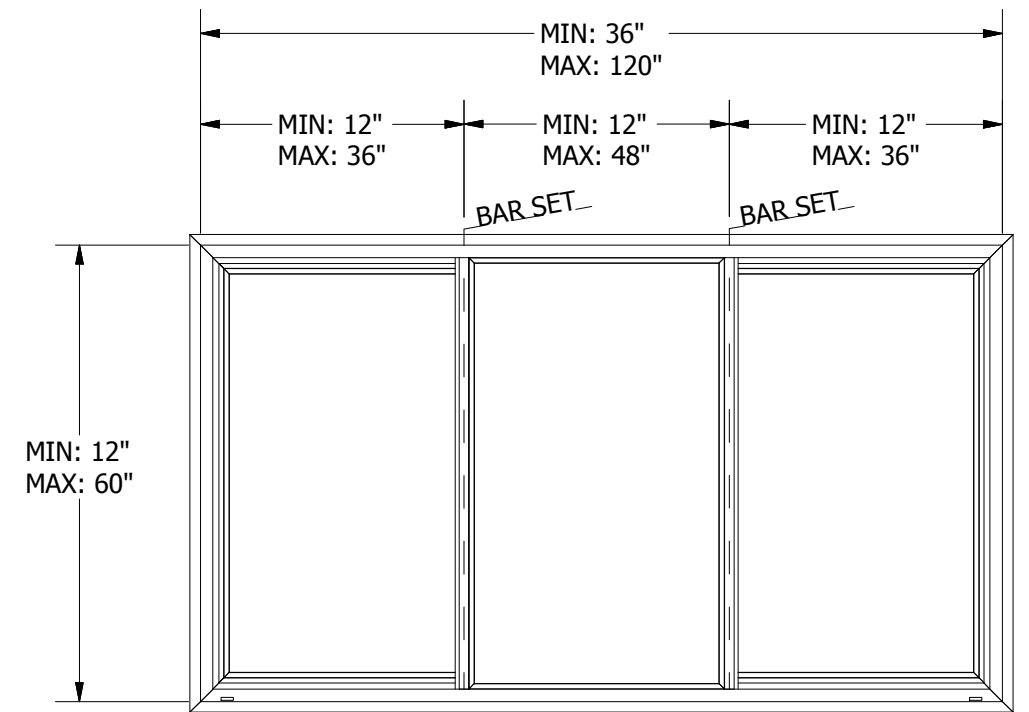


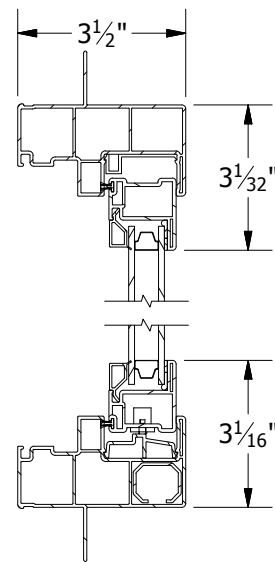
INTERIOR VIEW  
SCALE 1 / 20



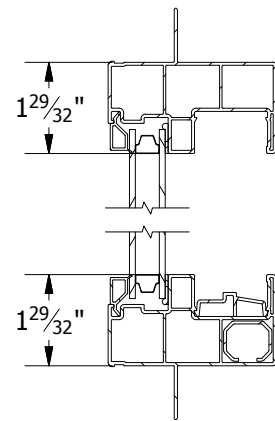
JAMB VIEW  
SCALE 1 / 20



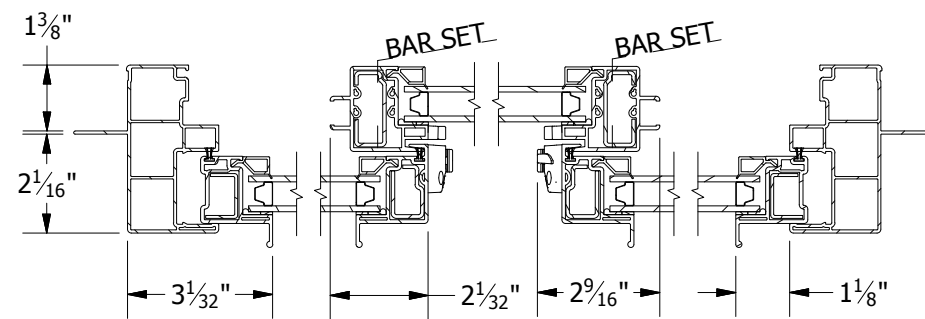
EXTERIOR VIEW  
SCALE 1 / 20



SECTION A-A  
SCALE 1 / 4



SECTION B-B  
SCALE 1 / 4



SECTION C-C  
SCALE 1 / 4

<b>TOLERANCE</b> DECIMAL X.X ± 0.100 X.XX ± 0.025 X.XXX ± 0.005 FRACTIONAL X/X ± 1/32 ANGULAR X ± 1.0° X.X ± 0.2°	DRAWN	bputre		3/29/2017		
	CHECKED					
	APPROVED					
	SIZE	B	SCALE	1 / 20	SHEET	1 of 1
	PRODUCT FAMILY	531 ENDURANCE				
PROJECT						



3420 E Ferry Ave. Spokane, WA 99202 • www.vpiwindows.com  
THIS DOCUMENT IS PROPRIETARY AND CONFIDENTIAL. NO PART OF THIS DOCUMENT MAY BE DISCLOSED IN ANY MANNER TO A THIRD PARTY WITHOUT THE PRIOR WRITTEN CONSENT BY VPI QUALITY WINDOWS.

SHEET	REV
XOX LAYOUT	