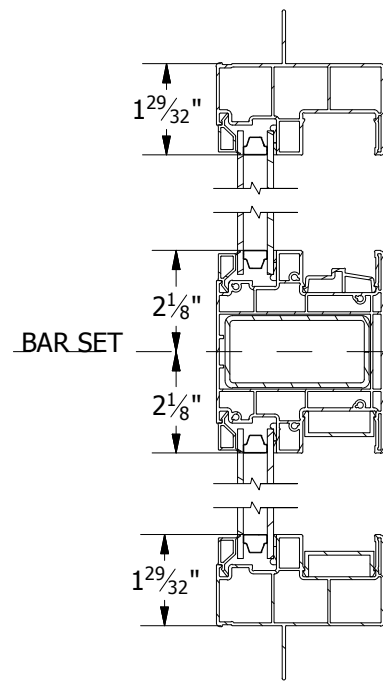
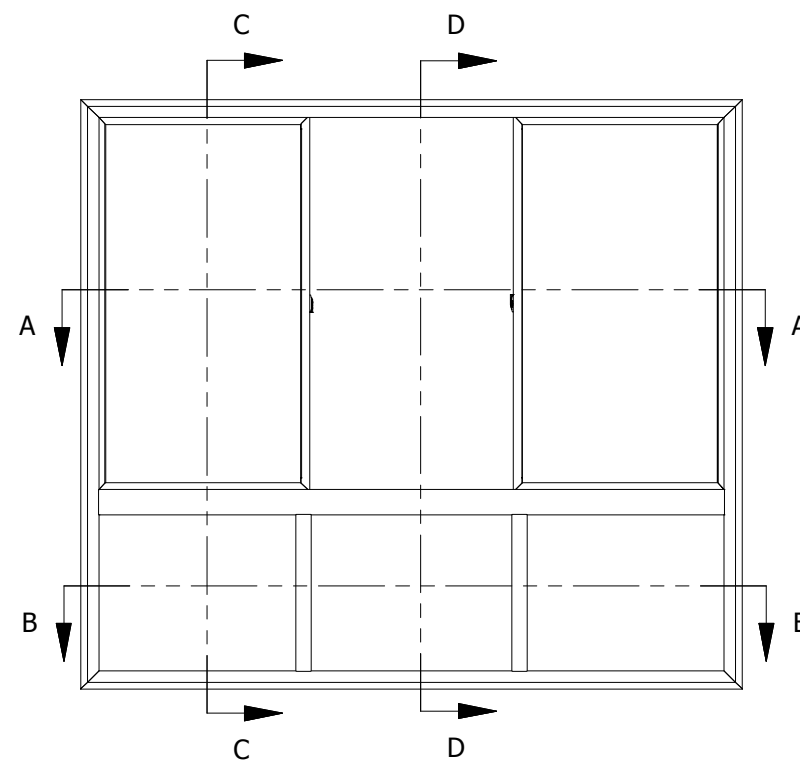


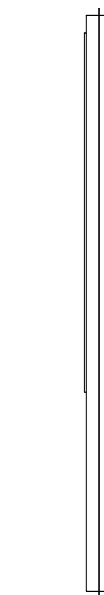
SECTION C-C  
SCALE 1 / 4



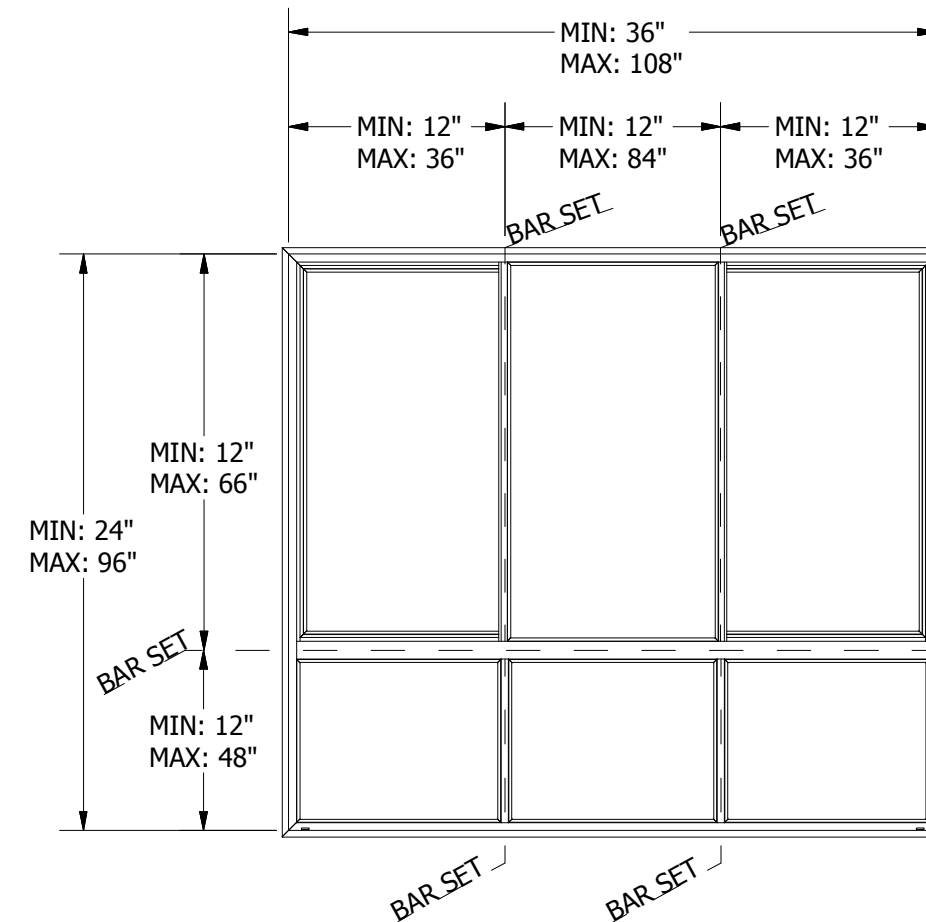
SECTION D-D  
SCALE 1 / 4



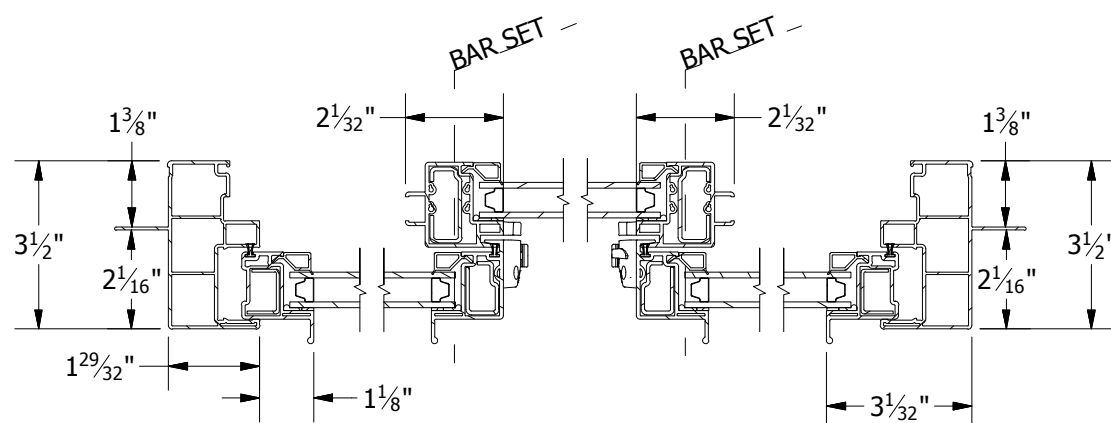
INTERIOR VIEW  
SCALE 1/32



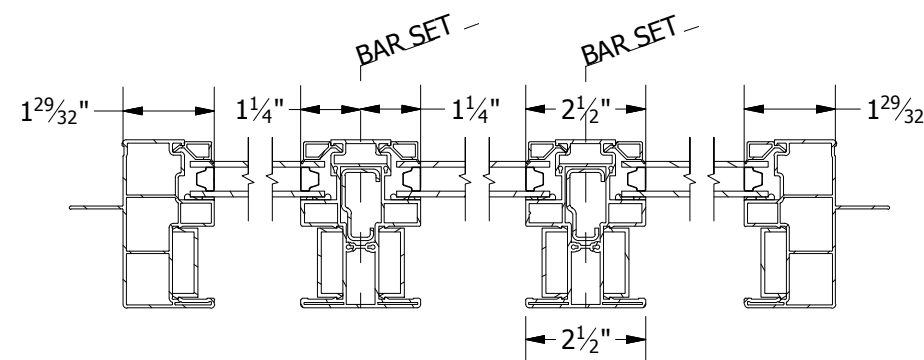
JAMB VIEW  
SCALE 1/32



EXTERIOR VIEW  
SCALE 1/32



SECTION A-A  
SCALE 1 / 4



SECTION B-B  
SCALE 1 / 4

<b>TOLERANCE</b> DECIMAL X.X ± 0.100 X.XX ± 0.025 X.XXX ± 0.005 FRACTIONAL X/X ± 1/32 ANGULAR X ± 1.0° X.X ± 0.2°	DRAWN bpoutre	3/10/2017
	CHECKED	
	APPROVED	
	SIZE B	SCALE 1/32 SHEET 1 of 1
	PRODUCT FAMILY <b>531 ENDURANCE</b>	
PROJECT		



3420 E Ferry Ave. Spokane, WA 99202 • www.vpiwindows.com  
THIS DOCUMENT IS PROPRIETARY AND CONFIDENTIAL. NO PART OF THIS DOCUMENT MAY BE DISCLOSED IN ANY MANNER TO A THIRD PARTY WITHOUT THE PRIOR WRITTEN CONSENT BY VPI QUALITY WINDOWS.

SHEET XOXAT LAYOUT	REV
-----------------------	-----