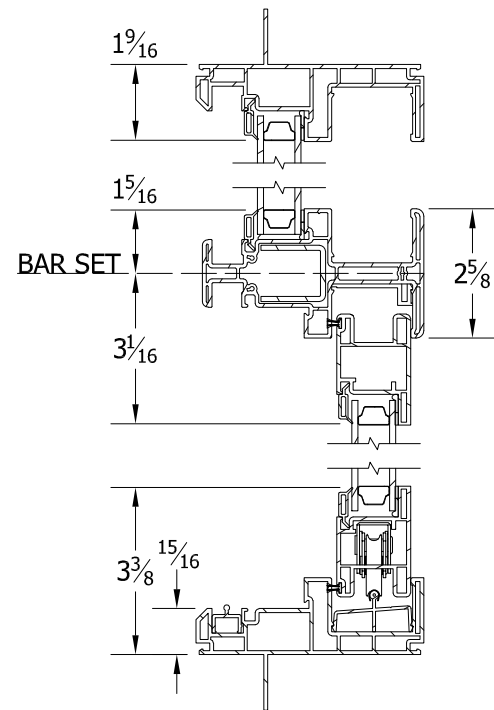
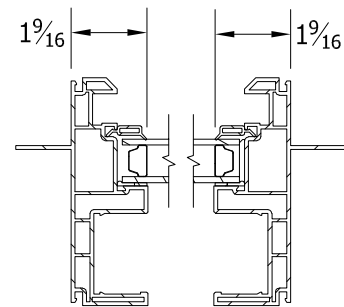


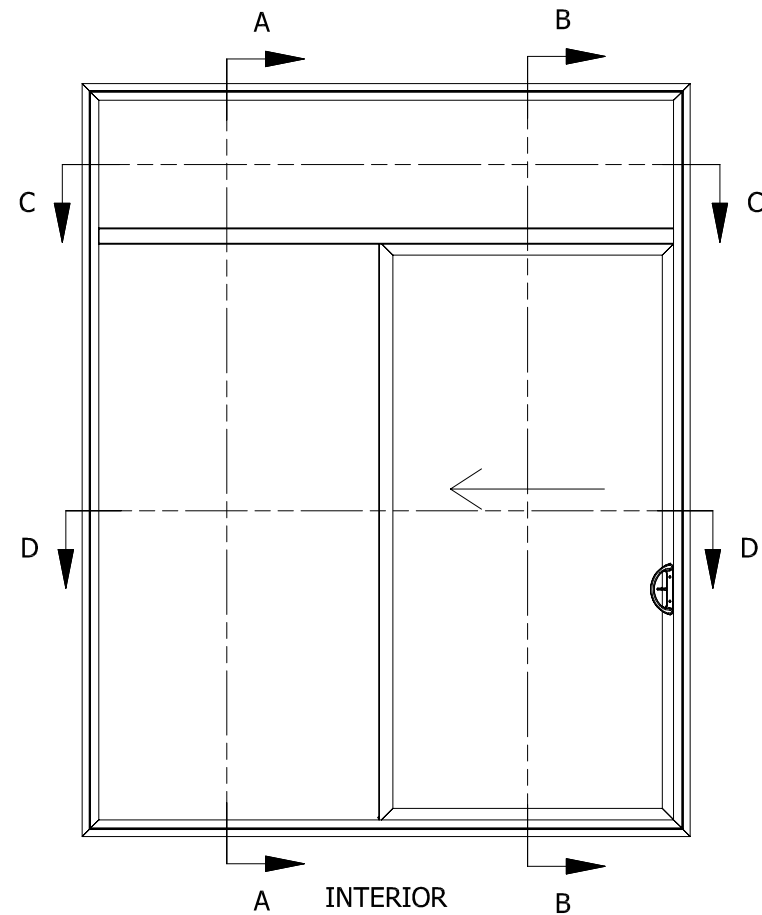
SECTION A-A
SCALE 1 / 4



SECTION B-B
SCALE 1 / 4

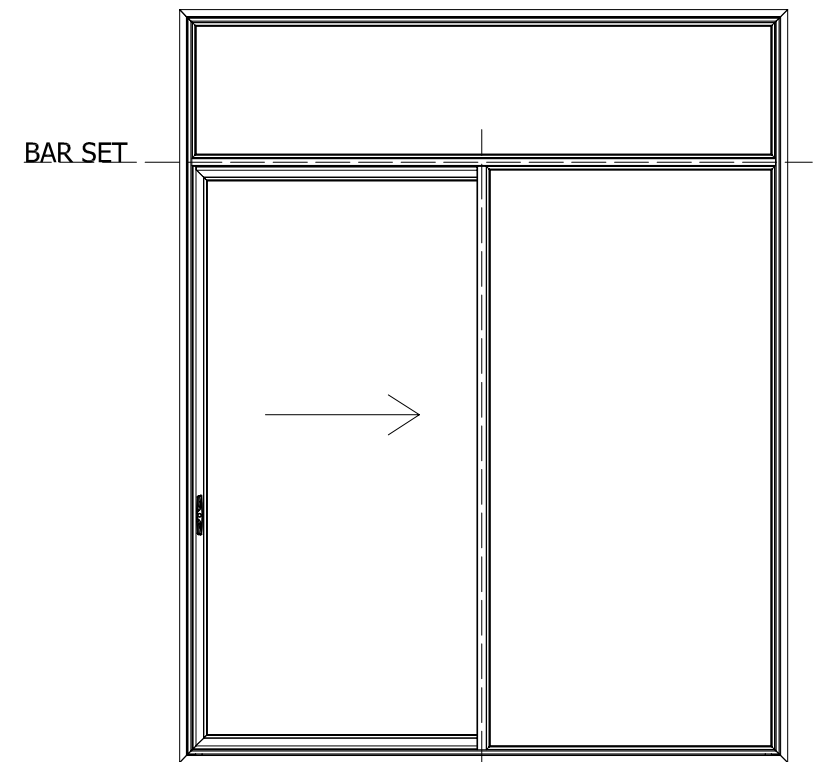


SECTION C-C
SCALE 1 / 4

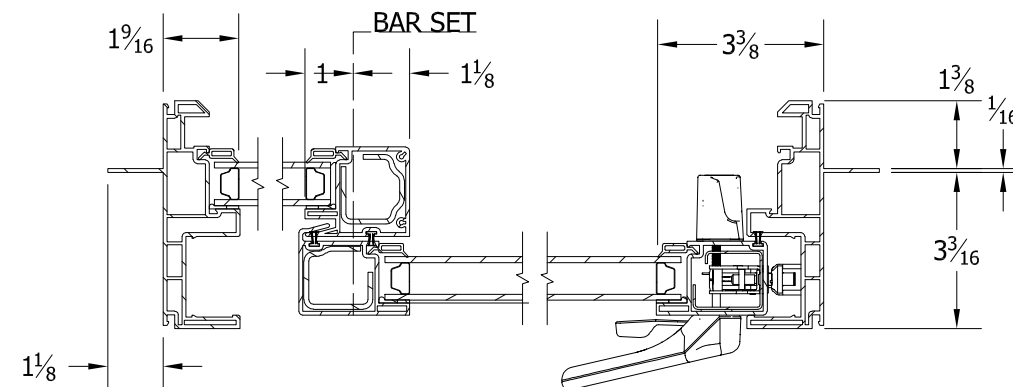


A INTERIOR
SCALE 1/32

B JAMB
SCALE 1/32



C BAR SET
EXTERIOR
SCALE 1/32



SECTION D-D
SCALE 1 / 4

TOLERANCE	DRAWN	2/12/2019
DECIMAL	dpoutre	
X.X ± 0.100	CHECKED	
X.XX ± 0.025	APPROVED	
X.XXX ± 0.005	SIZE B	SCALE 1/32 SHEET 1 of 1
FRACTIONAL	PRODUCT FAMILY	
X/X ± 1/32	723 ENDURANCE	
ANGULAR	PROJECT	
X ± 1.0°		
X.X ± 0.2°		



3420 E Ferry Ave. Spokane, WA 99202 • www.vpiwindows.com
THIS DOCUMENT IS PROPRIETARY AND CONFIDENTIAL. NO PART OF THIS DOCUMENT MAY BE DISCLOSED IN ANY MANNER TO A THIRD PARTY WITHOUT THE PRIOR WRITTEN CONSENT BY VPI QUALITY WINDOWS.

SHEET	REV
XOU LAYOUT	