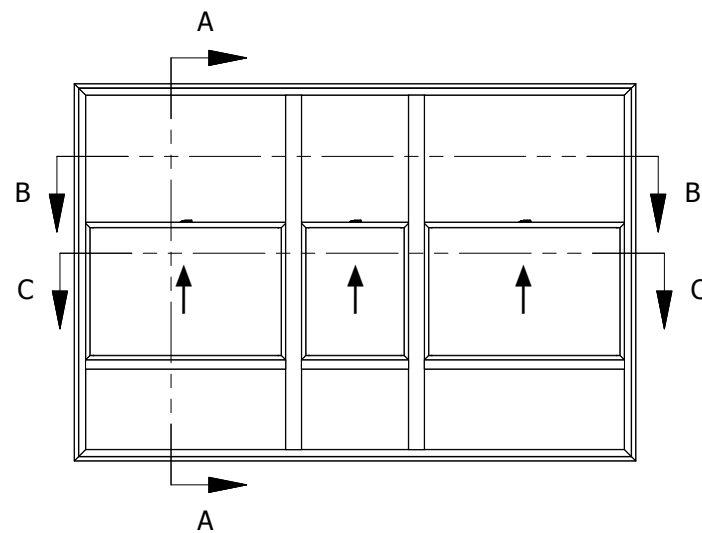
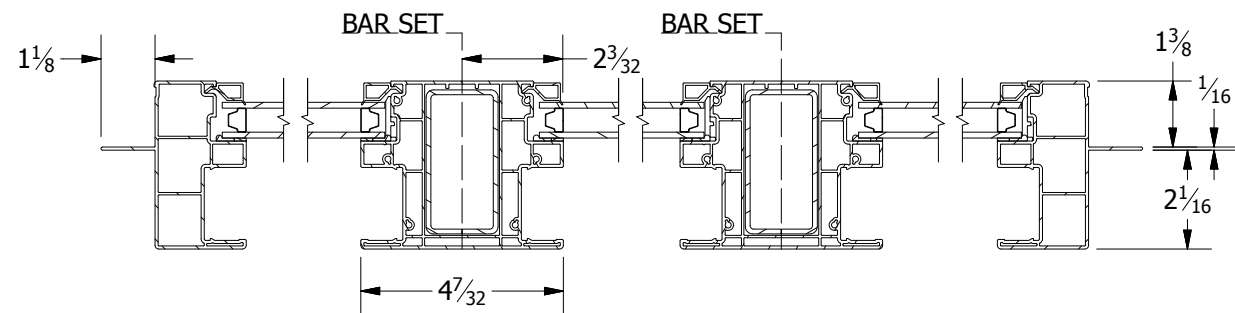
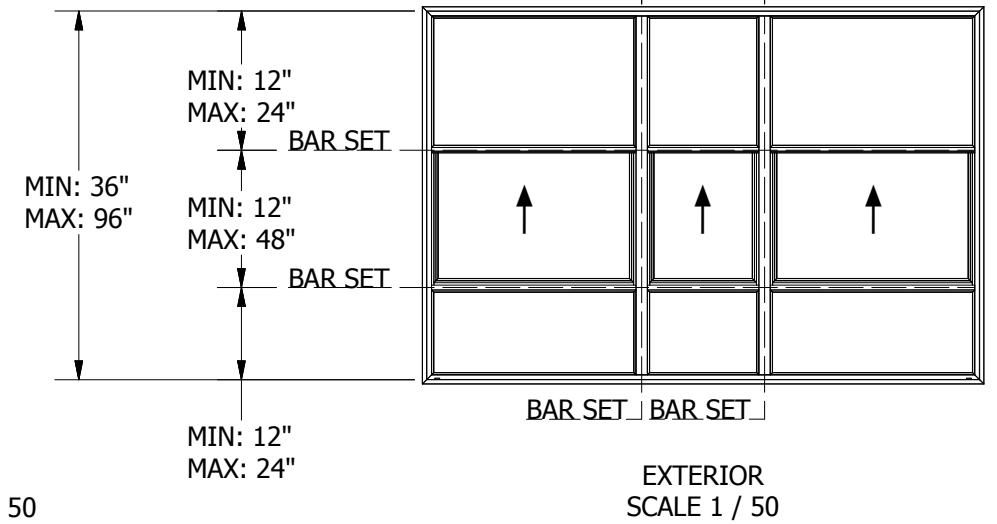


SECTION A-A
SCALE 1 / 4

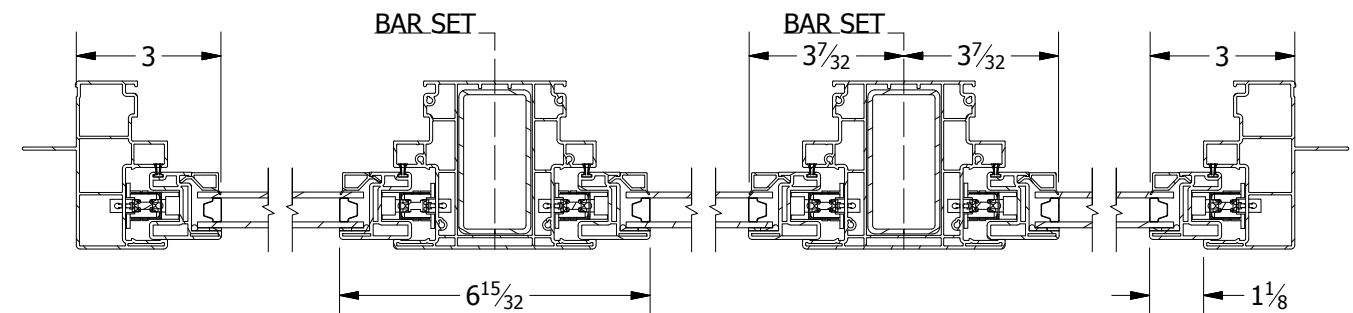


INTERIOR
SCALE 1 / 50

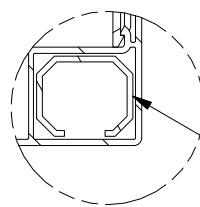
JAMB
SCALE 1 / 50



SECTION B-B
SCALE 1 / 4



SECTION C-C
SCALE 1 / 4



DETAIL D
SCALE 1 / 2

FRAME REINFORCEMENT INSTALLED
INTO FRAMES LARGER THAN 36" IN WIDTH

TOLERANCE DECIMAL X.X ± 0.100 X.XX ± 0.025 X.XXX ± 0.005 FRACTIONAL X/X ± 1/32 ANGULAR X ± 1.0° X.X ± 0.2°	DRAWN	bpoutre		3/1/2018		
	CHECKED					
	APPROVED					
	SIZE	B	SCALE	1 / 50	SHEET	1 of 1
	PRODUCT FAMILY	530-591 ENDURANCE				
PROJECT						



3420 E Ferry Ave. Spokane, WA 99202 • www.vpiwindows.com
THIS DOCUMENT IS PROPRIETARY AND CONFIDENTIAL. NO PART OF THIS DOCUMENT MAY BE DISCLOSED IN ANY MANNER TO A THIRD PARTY WITHOUT THE PRIOR WRITTEN CONSENT BY VPI QUALITY WINDOWS.

SHEET	SHAISHAISHA_LAYOUT	REV	
-------	--------------------	-----	--