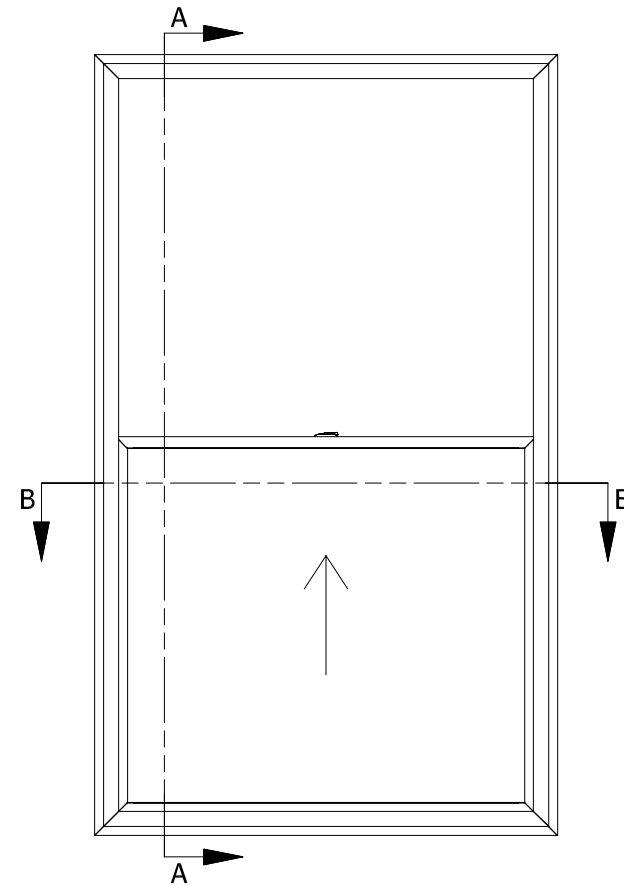


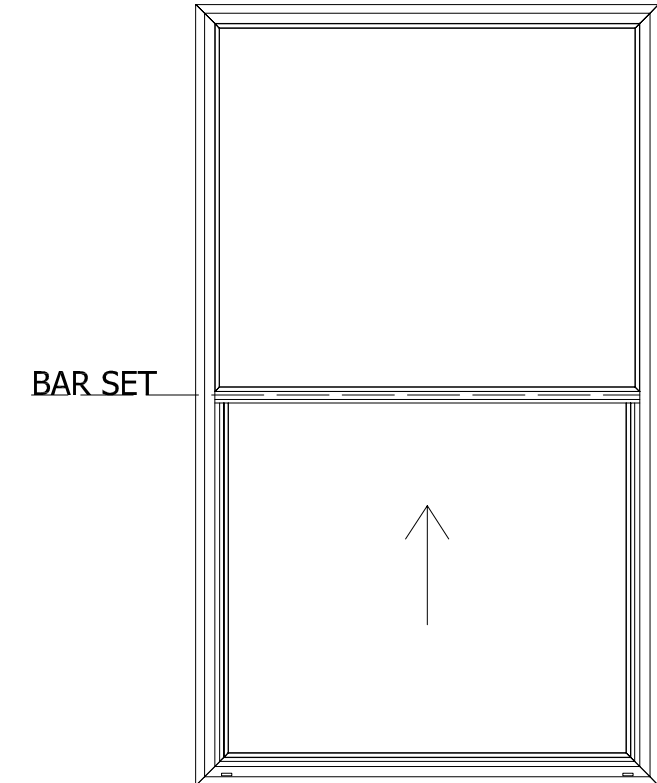
SECTION A-A  
SCALE 1 / 4



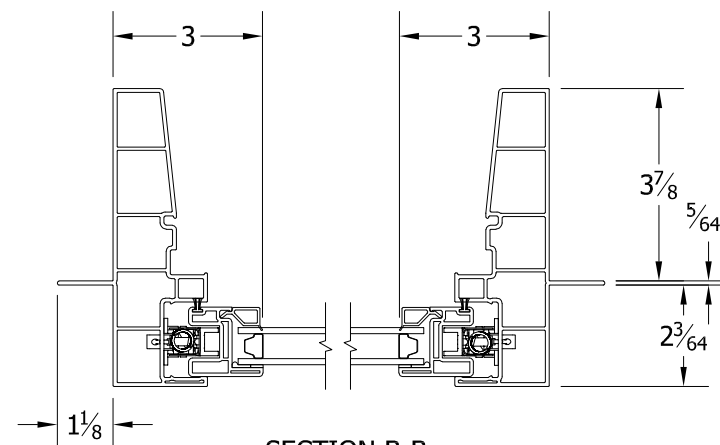
INTERIOR VIEW  
SCALE 1 / 25



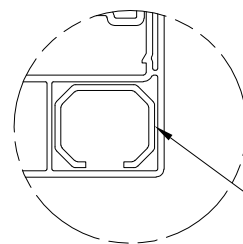
JAMB VIEW  
SCALE 1 / 25



EXTERIOR VIEW  
SCALE 1 / 25



SECTION B-B  
SCALE 1 / 4



DETAIL C  
SCALE 1 / 2

FRAME REINFORCEMENT INSTALLED  
IN FRAME LARGER THAN 36" IN WIDTH

<b>TOLERANCE</b>	DRAWN	12/08/2022	
	DECIMAL	bputre	
	X.X ± 0.100	CHECKED	
	X.XX ± 0.025	APPROVED	
X.XXX ± 0.005	SIZE	B	SCALE 1 / 25 SHEET 1 of 1
FRACTIONAL	PRODUCT FAMILY	591 ENDURANCE	
X/X ± 1/32	PROJECT		
ANGULAR			
X ± 1.0'			
X.X ± 0.2'			



3420 E Ferry Ave. Spokane, WA 99202 • www.vpiwindows.com  
THIS DOCUMENT IS PROPRIETARY AND CONFIDENTIAL. NO PART OF THIS DOCUMENT MAY BE DISCLOSED IN ANY MANNER TO A THIRD PARTY WITHOUT THE PRIOR WRITTEN CONSENT BY VPI QUALITY WINDOWS.

SHEET	REV
SH LAYOUT	