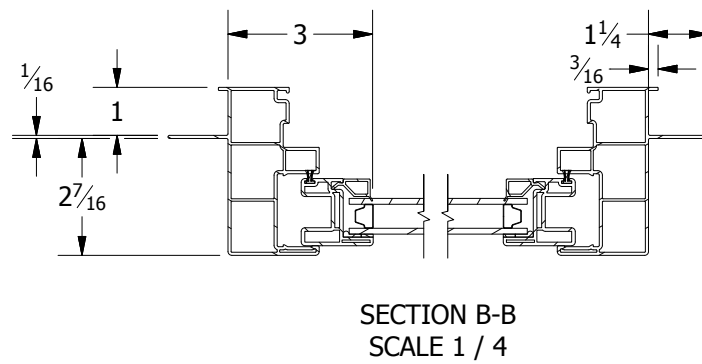
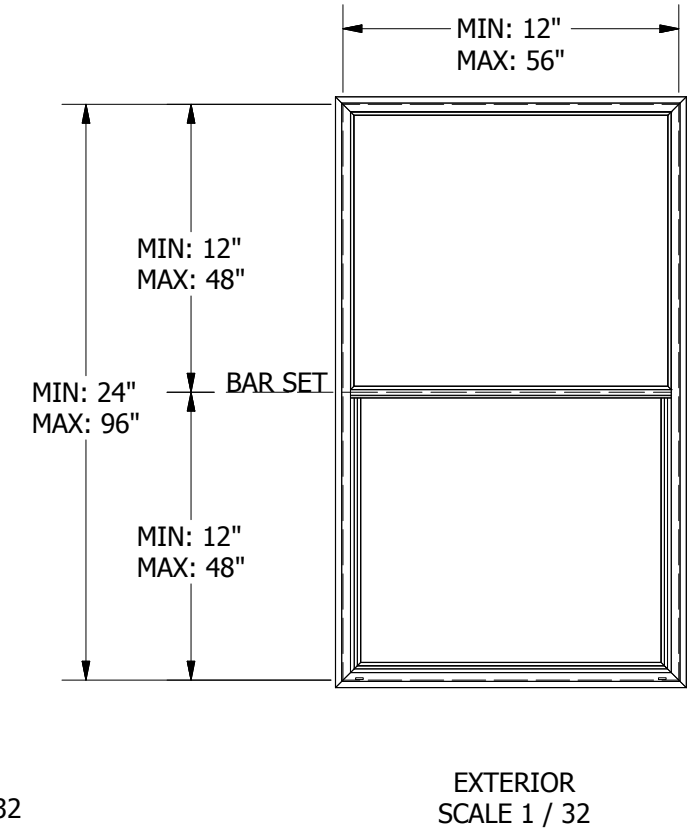



JAMB  
SCALE 1 / 32



<b>TOLERANCE</b> DECIMAL X.X ± 0.100 X.XX ± 0.025 X.XXX ± 0.005 FRACTIONAL X/X ± 1/32 ANGULAR X ± 1.0' X.X ± 0.2'	DRAWN bpoutre	3/12/2018	 <b>3420 E Ferry Ave. Spokane, WA 99202 • www.vpiwindows.com</b> <small>THIS DOCUMENT IS PROPRIETARY AND CONFIDENTIAL. NO PART OF THIS DOCUMENT MAY BE DISCLOSED IN ANY MANNER TO A THIRD PARTY WITHOUT THE PRIOR WRITTEN CONSENT BY VPI QUALITY WINDOWS.</small>
	CHECKED		
	APPROVED		
	SIZE B SCALE 1 / 32 SHEET 1 of 1		
PRODUCT FAMILY <b>530 - 591 ENDURANCE</b>	PROJECT		SHEET SH W/STUCCO KEY
			REV