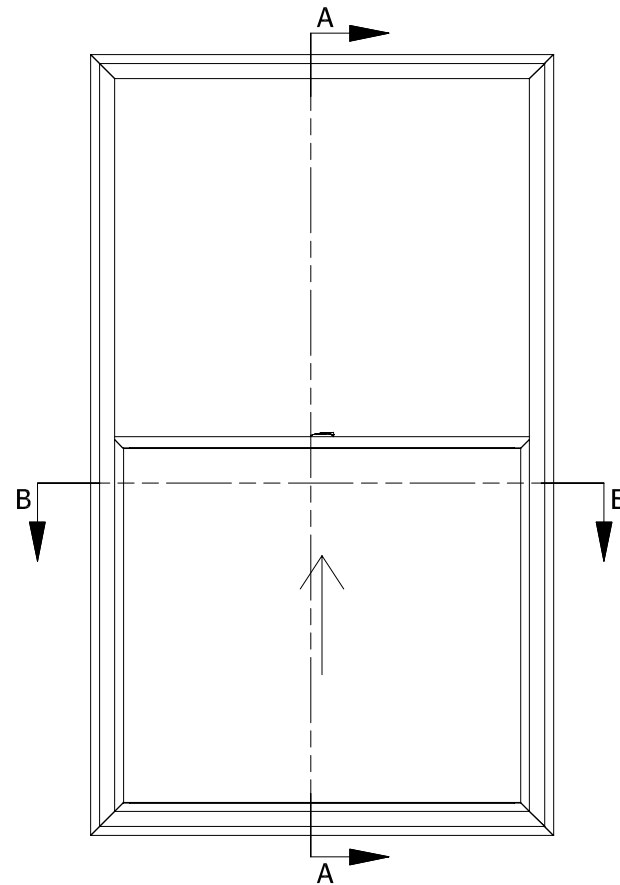


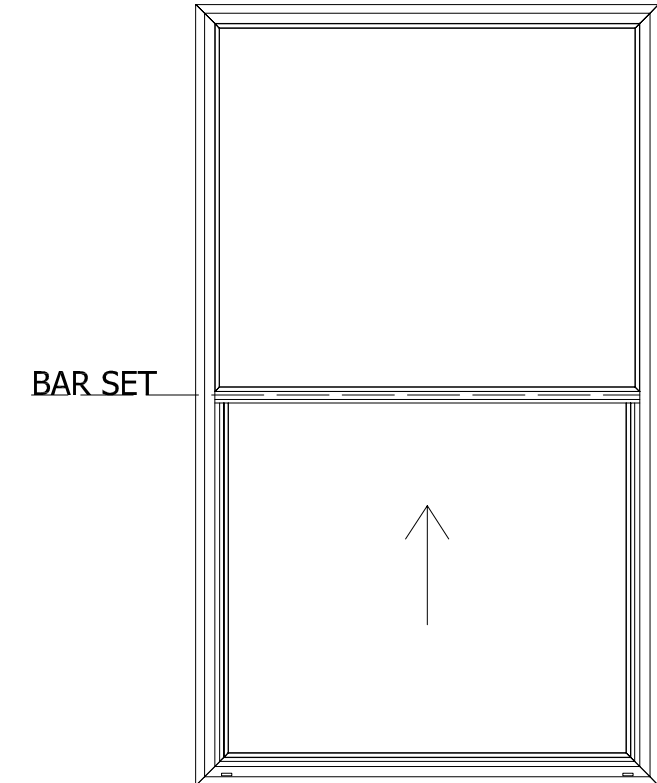
SECTION A-A  
SCALE 1 / 4



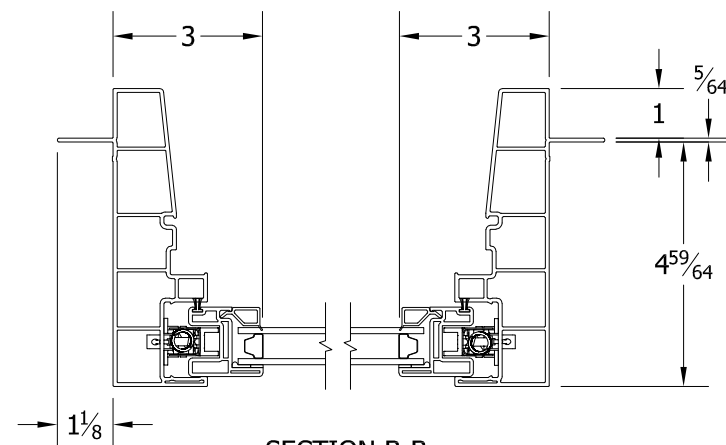
INTERIOR VIEW  
SCALE 1 / 25



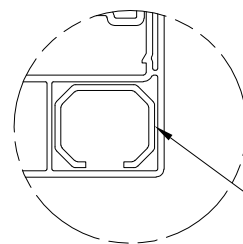
JAMB VIEW  
SCALE 1 / 25



EXTERIOR VIEW  
SCALE 1 / 25



SECTION B-B  
SCALE 1 / 4



DETAIL C  
SCALE 1 / 2

FRAME REINFORCEMENT INSTALLED  
IN FRAME LARGER THAN 36" IN WIDTH

<b>TOLERANCE</b> DECIMAL X.X ± 0.100 X.XX ± 0.025 X.XXX ± 0.005 FRACTIONAL X/X ± 1/32 ANGULAR X ± 1.0' X.X ± 0.2'	DRAWN bpoutre		12/08/2022
	CHECKED		
	APPROVED		
	SIZE B	SCALE 1 / 25	SHEET 1 of 1
PRODUCT FAMILY			
<b>591 ENDURANCE</b>			
PROJECT			



3420 E Ferry Ave. Spokane, WA 99202 • www.vpiwindows.com  
 THIS DOCUMENT IS PROPRIETARY AND CONFIDENTIAL. NO PART OF THIS DOCUMENT MAY BE DISCLOSED  
 IN ANY MANNER TO A THIRD PARTY WITHOUT THE PRIOR WRITTEN CONSENT BY VPI QUALITY WINDOWS.

SHEET	REV
SH LAYOUT	