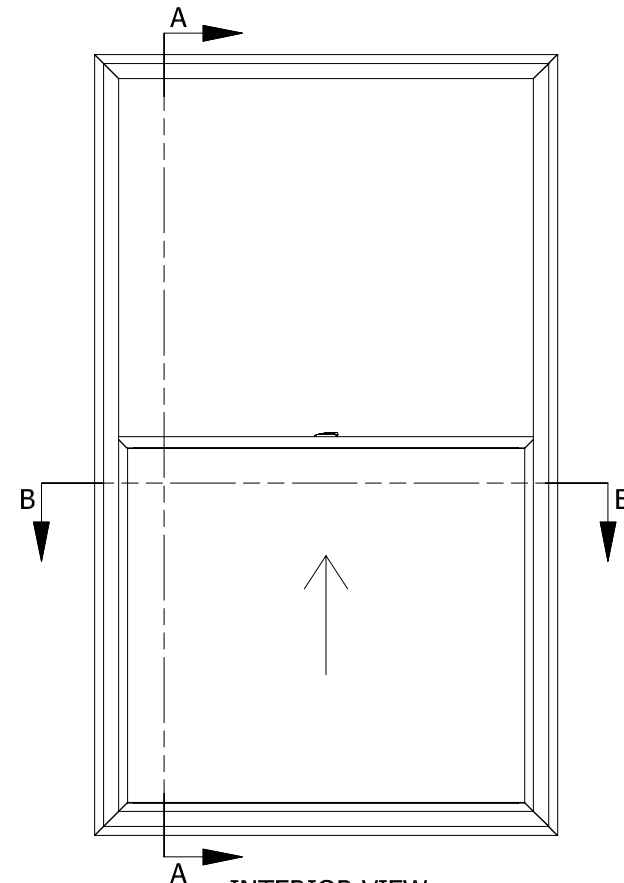


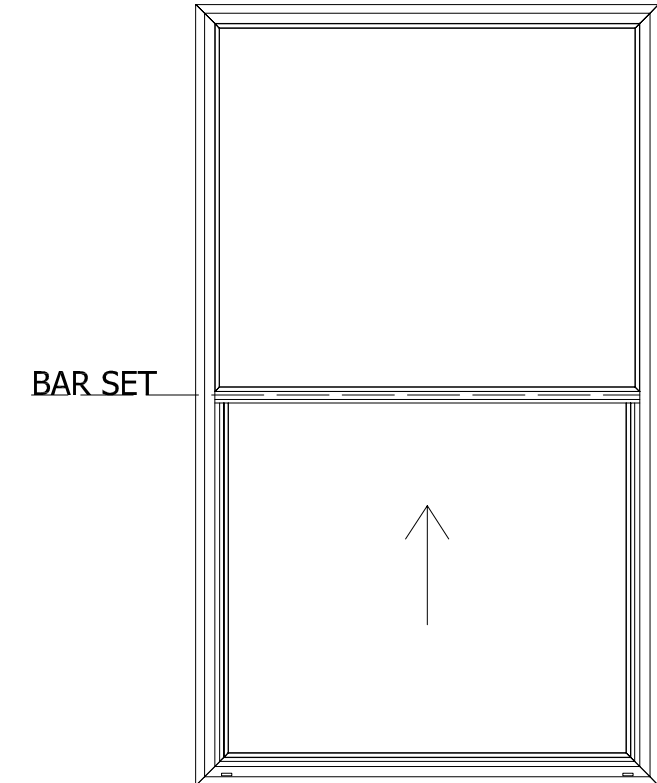
SECTION A-A
SCALE 1 / 4



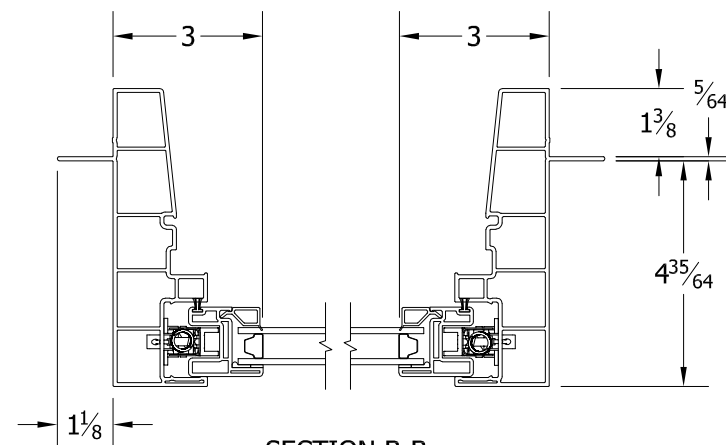
INTERIOR VIEW
SCALE 1 / 25



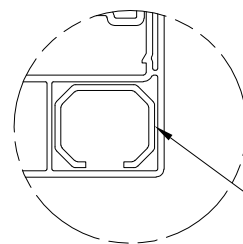
JAMB VIEW
SCALE 1 / 25



EXTERIOR VIEW
SCALE 1 / 25



SECTION B-B
SCALE 1 / 4



DETAIL C
SCALE 1 / 2

FRAME REINFORCEMENT INSTALLED
IN FRAME LARGER THAN 36" IN WIDTH

TOLERANCE DECIMAL X.X ± 0.100 X.XX ± 0.025 X.XXX ± 0.005 FRACTIONAL X/X ± 1/32 ANGULAR X ± 1.0' X.X ± 0.2'	DRAWN	12/08/2022	
	bpoutre		
	CHECKED		
	APPROVED		
	SIZE	SCALE	SHEET
	B	1 / 25	1 of 1
	PRODUCT FAMILY		
	591 ENDURANCE		
	PROJECT		
	SHEET		REV
	SH LAYOUT		



3420 E Ferry Ave. Spokane, WA 99202 • www.vpiwindows.com
 THIS DOCUMENT IS PROPRIETARY AND CONFIDENTIAL. NO PART OF THIS DOCUMENT MAY BE DISCLOSED
 IN ANY MANNER TO A THIRD PARTY WITHOUT THE PRIOR WRITTEN CONSENT BY VPI QUALITY WINDOWS.