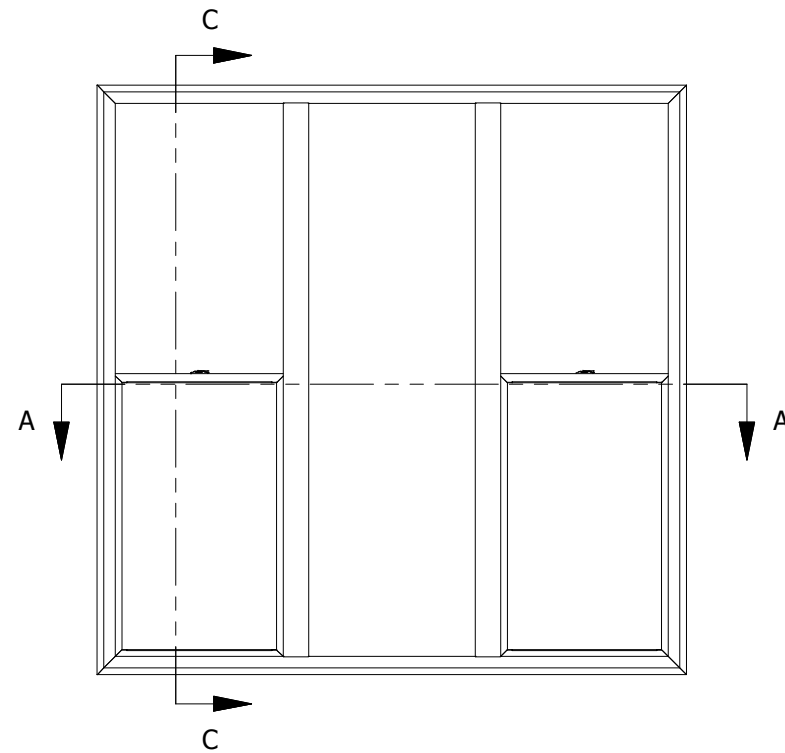
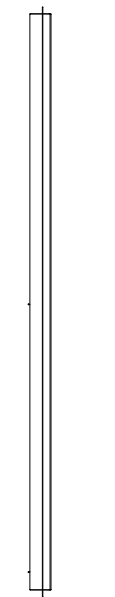


SECTION C-C
SCALE 1 / 4

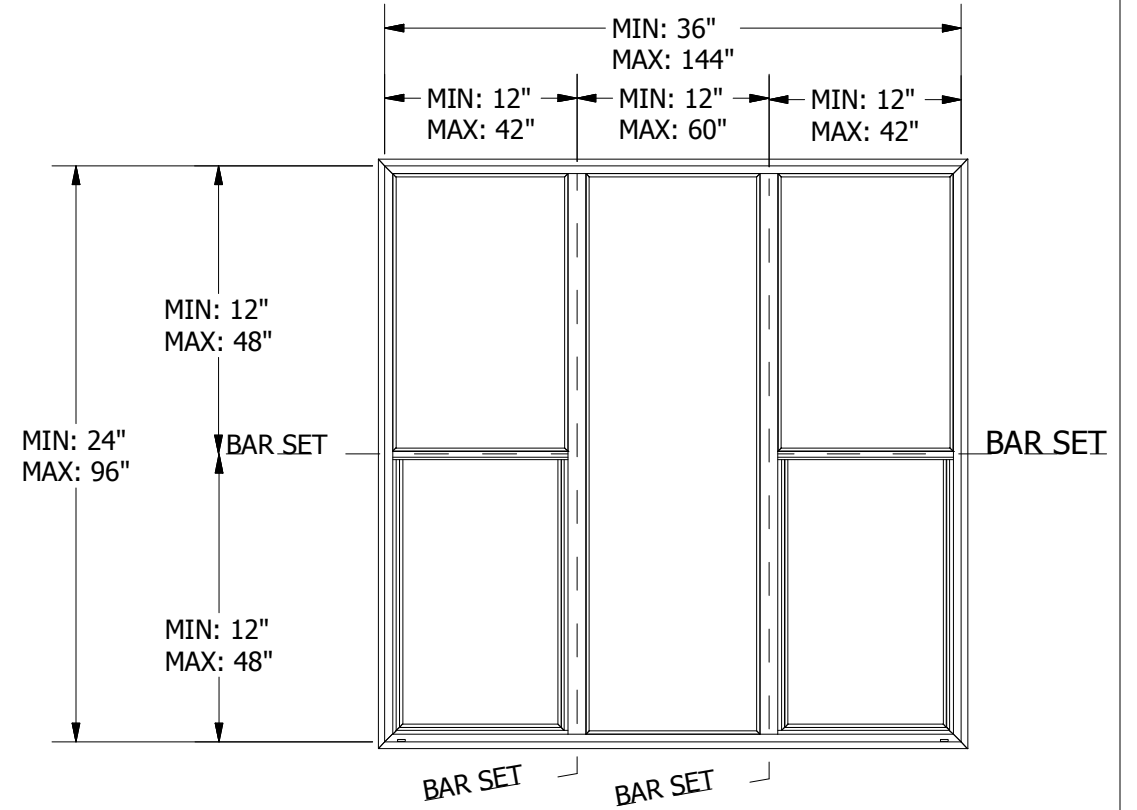
FRAME REINFORCEMENT INSTALLED
ONLY IN FRAMES LARGER THAN 36"



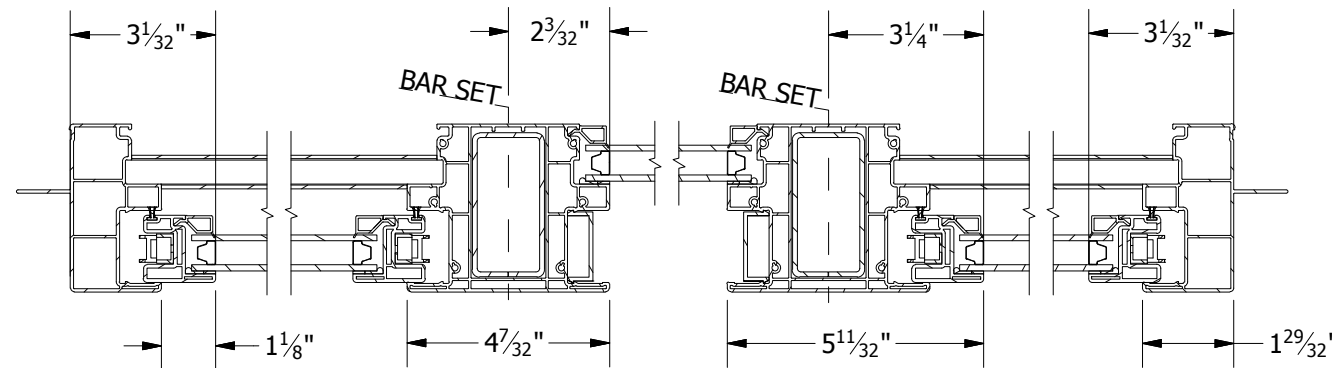
INTERIOR VIEW
SCALE 1/32



JAMB VIEW
SCALE 1/32



EXTERIOR VIEW
SCALE 1/32



SECTION A-A
SCALE 1 / 4

TOLERANCE DECIMAL X.X ± 0.100 X.XX ± 0.025 X.XXX ± 0.005 FRACTIONAL X/X ± 1/32 ANGULAR X ± 1.0° X.X ± 0.2°	DRAWN bpoutre	3/23/2017
	CHECKED	
	APPROVED	
	SIZE B	SCALE 1/32 SHEET 1 of 1
PRODUCT FAMILY 591 ENDURANCE		
PROJECT		



3420 E Ferry Ave. Spokane, WA 99202 ● www.vpiwindows.com
THIS DOCUMENT IS PROPRIETARY AND CONFIDENTIAL. NO PART OF THIS DOCUMENT MAY BE DISCLOSED IN ANY MANNER TO A THIRD PARTY WITHOUT THE PRIOR WRITTEN CONSENT BY VPI QUALITY WINDOWS.

SHEET SH-PW-SH LAYOUT	REV
--------------------------	-----