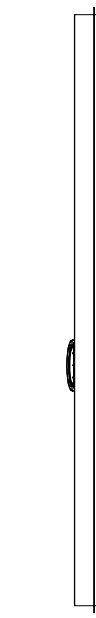
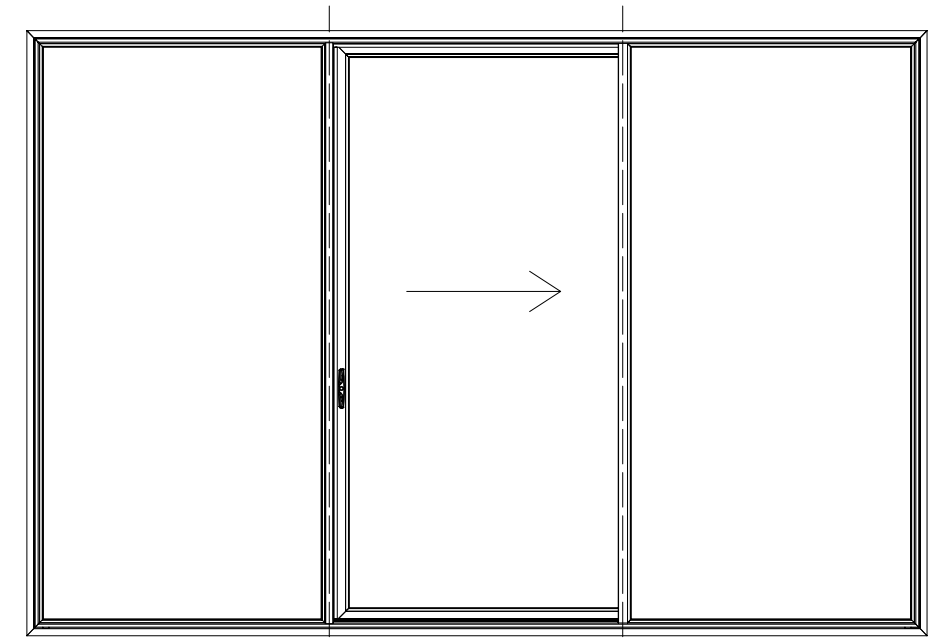


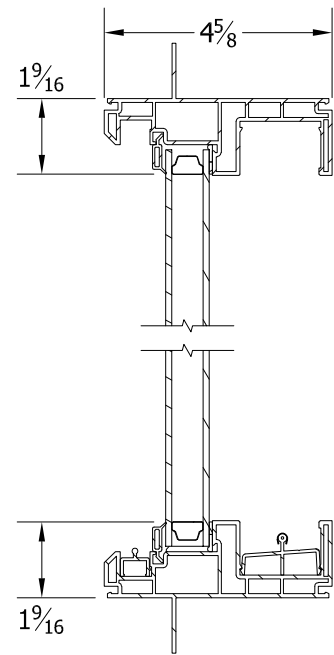
INTERIOR  
SCALE 1/32



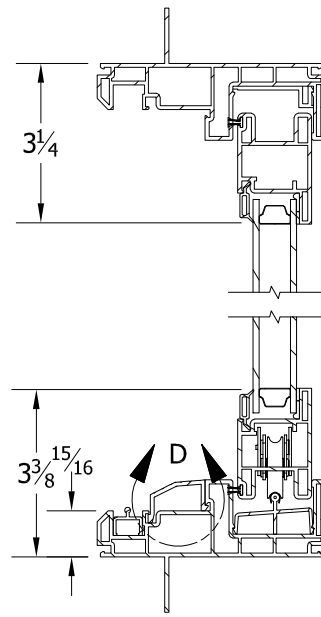
JAMB  
SCALE 1/32



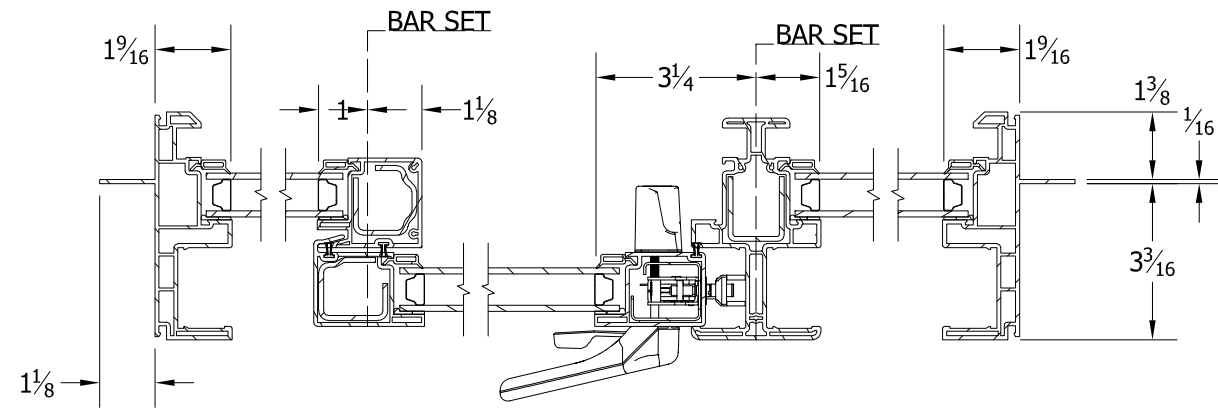
BAR SET BAR SET  
EXTERIOR  
SCALE 1/32



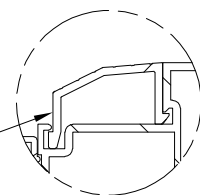
SECTION A-A  
SCALE 1 / 4



SECTION B-B  
SCALE 1 / 4



SECTION C-C  
SCALE 1 / 4



OPTIONAL SILL RAMP ADAPTER

DETAIL D  
SCALE 1 / 2

<b>TOLERANCE</b> DECIMAL X.X ± 0.100 X.XX ± 0.025 X.XXX ± 0.005 FRACTIONAL X/X ± 1/32 ANGULAR X ± 1.0° X.X ± 0.2°	DRAWN	bpoutre	4/16/2019	
	CHECKED			
	APPROVED			
	SIZE	B	SCALE 1/32	SHEET 1 of 1
	PRODUCT FAMILY	723 ENDURANCE		
PROJECT				



3420 E Ferry Ave. Spokane, WA 99202 • www.vpiwindows.com  
 THIS DOCUMENT IS PROPRIETARY AND CONFIDENTIAL. NO PART OF THIS DOCUMENT MAY BE DISCLOSED IN ANY MANNER TO A THIRD PARTY WITHOUT THE PRIOR WRITTEN CONSENT BY VPI QUALITY WINDOWS.

SHEET  
O/XO W/SILL RAMP LAYOUT

REV