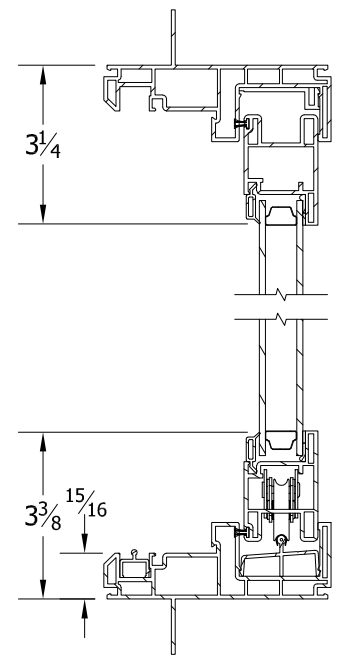
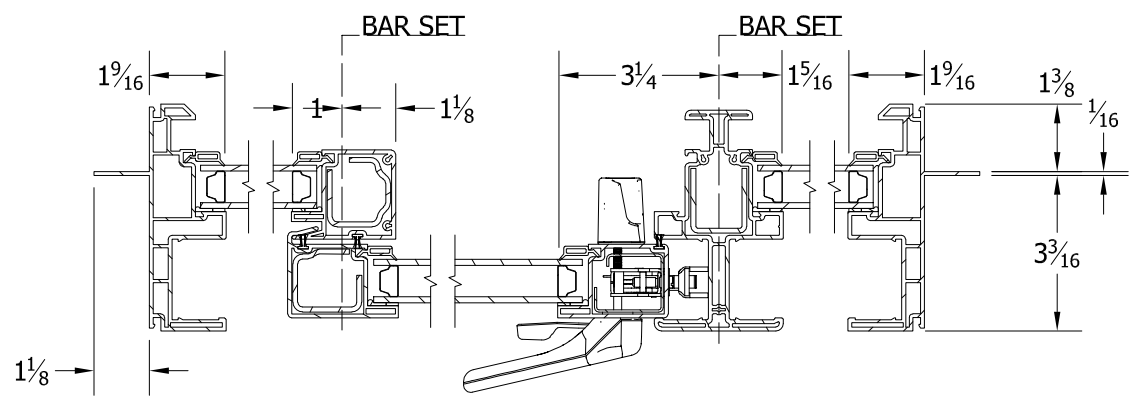


SECTION A-A
SCALE 1 / 4



SECTION B-B
SCALE 1 / 4



SECTION C-C
SCALE 1 / 4

TOLERANCE DECIMAL X.X ± 0.100 X.XX ± 0.025 X.XXX ± 0.005 FRACTIONAL X/X ± 1/32 ANGULAR X ± 1.0° X.X ± 0.2°	DRAWN bpoutre	1/9/2019
	CHECKED	
	APPROVED	
	SIZE B	SCALE 1/32
PRODUCT FAMILY	723 ENDURANCE	
PROJECT		



3420 E Ferry Ave. Spokane, WA 99202 • www.vpiwindows.com
THIS DOCUMENT IS PROPRIETARY AND CONFIDENTIAL. NO PART OF THIS DOCUMENT MAY BE DISCLOSED IN ANY MANNER TO A THIRD PARTY WITHOUT THE PRIOR WRITTEN CONSENT BY VPI QUALITY WINDOWS.

SHEET O/XO LAYOUT	REV
----------------------	-----