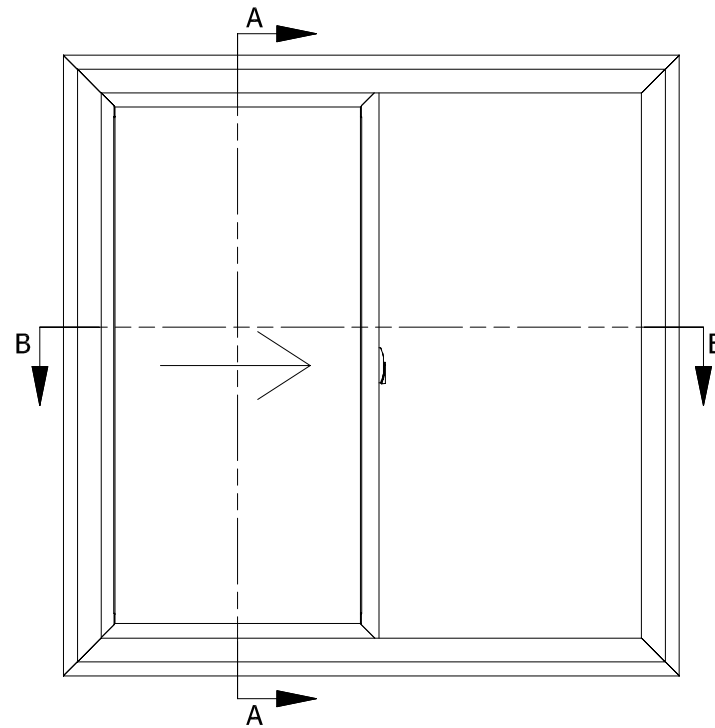
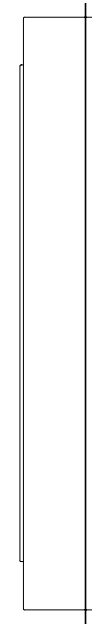


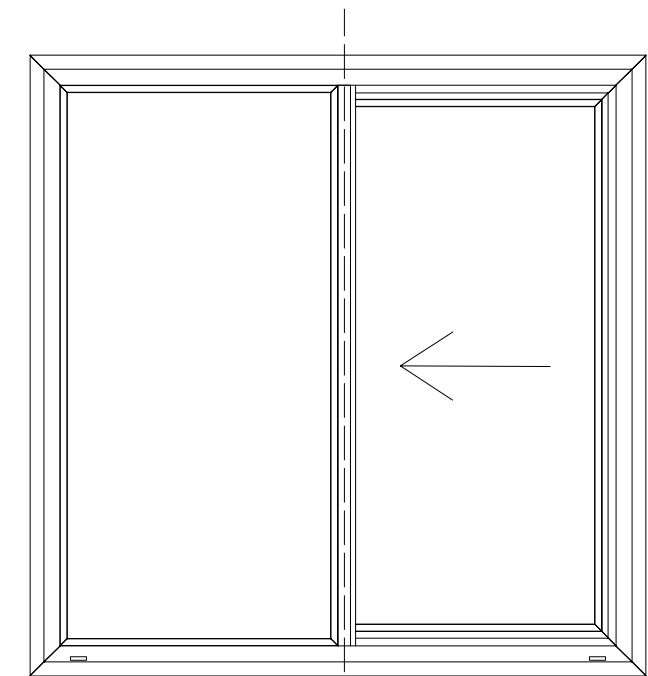
SECTION A-A  
SCALE 1 / 4



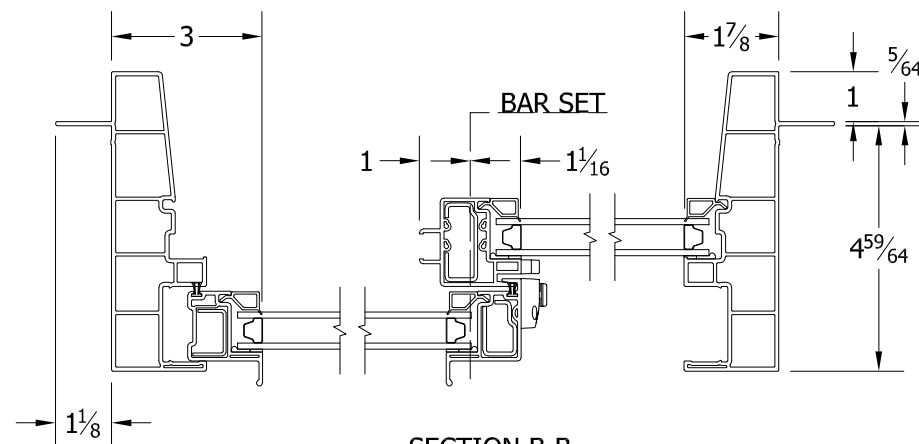
INTERIOR VIEW  
SCALE 1/16



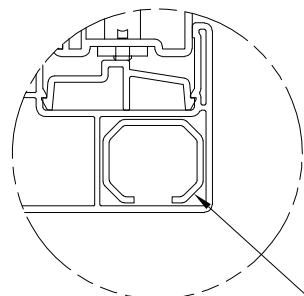
JAMB VIEW  
SCALE 1/16



EXTERIOR VIEW  
SCALE 1/16



SECTION B-B  
SCALE 1 / 4



DETAIL C  
SCALE 1 / 2

FRAME REINFORCEMENT INSTALLED  
IN FRAMES LARGER THAN 36" IN WIDTH

<b>TOLERANCE</b>	DRAWN	bpoutre	12/08/2022
	DECIMAL		
X.X ± 0.100	CHECKED		
X.XX ± 0.025	APPROVED		
X.XXX ± 0.005	SIZE	B	SCALE 1/16 SHEET 1 of 1
<b>FRACTIONAL</b>	PRODUCT FAMILY	531 ENDURANCE	
X/X ± 1/32	PROJECT		
<b>ANGULAR</b>			
X ± 1.0°			
X.X ± 0.2°			



3420 E Ferry Ave. Spokane, WA 99202 • www.vpiwindows.com  
THIS DOCUMENT IS PROPRIETARY AND CONFIDENTIAL. NO PART OF THIS DOCUMENT MAY BE DISCLOSED IN ANY MANNER TO A THIRD PARTY WITHOUT THE PRIOR WRITTEN CONSENT BY VPI QUALITY WINDOWS.

SHEET	REV
OX LAYOUT	