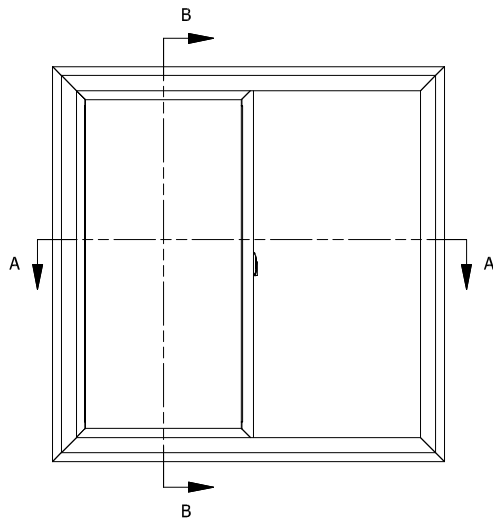


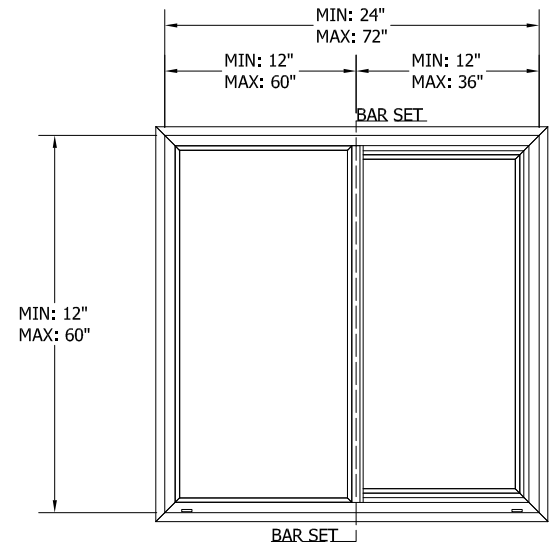
SECTION B-B
SCALE 1 / 4



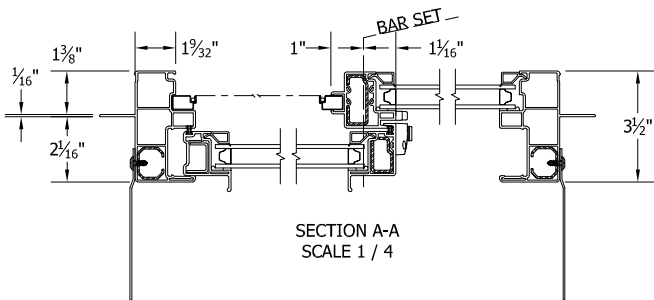
INTERIOR VIEW
SCALE 1/16



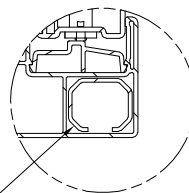
JAMB VIEW
SCALE 1/16



EXTERIOR VIEW
SCALE 1/16



SECTION A-A
SCALE 1 / 4



DETAIL C
SCALE 1 / 2

FRAME REINFORCEMENT INSTALLED
IN FRAMES LARGER THAN 36" IN WIDTH

TOLERANCE DECIMAL X.X ± 0.100 X.XX ± 0.025 X.XXX ± 0.005 FRACTIONAL X/X ± 1/32 ANGULAR X ± 1.0° X.X ± 0.2°	DRAWN	Opature	7/28/2017
	CHECKED		
	APPROVED		
	SIZE	B	SCALE 1/16
PRODUCT FAMILY 530-591 ENDURANCE			
PROJECT			
3420 E Ferry Ave. Spokane, WA 99202 • www.vpiwindows.com <small>THIS DOCUMENT IS PROPRIETARY AND CONFIDENTIAL. NO PART OF THIS DOCUMENT MAY BE DISCLOSED IN ANY MANNER TO A THIRD PARTY WITHOUT THE PRIOR WRITTEN CONSENT BY VPI QUALITY WINDOWS.</small>			SHEET OX W/ FRAME 8986 LAYOUT W/STEEL & STRAP
			REV

