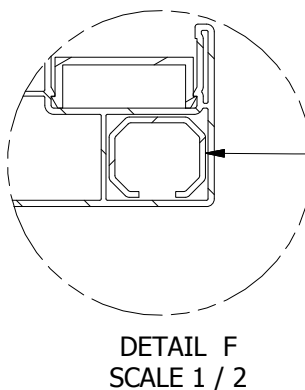
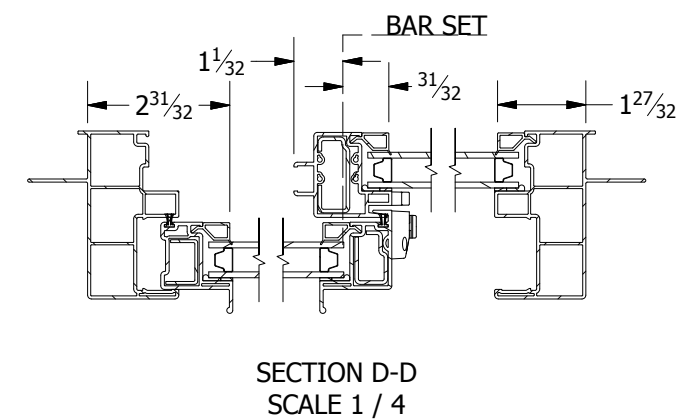
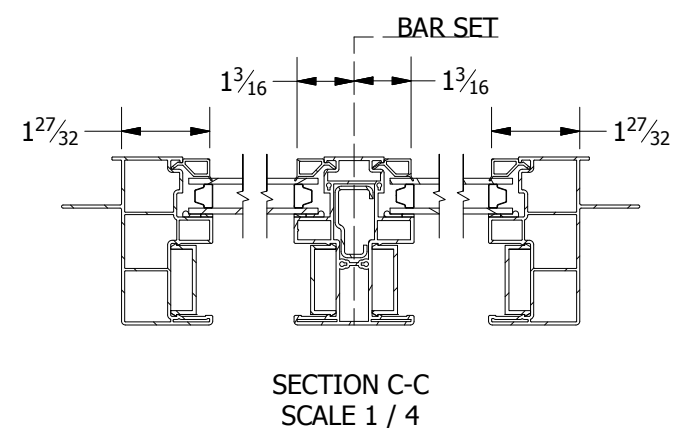
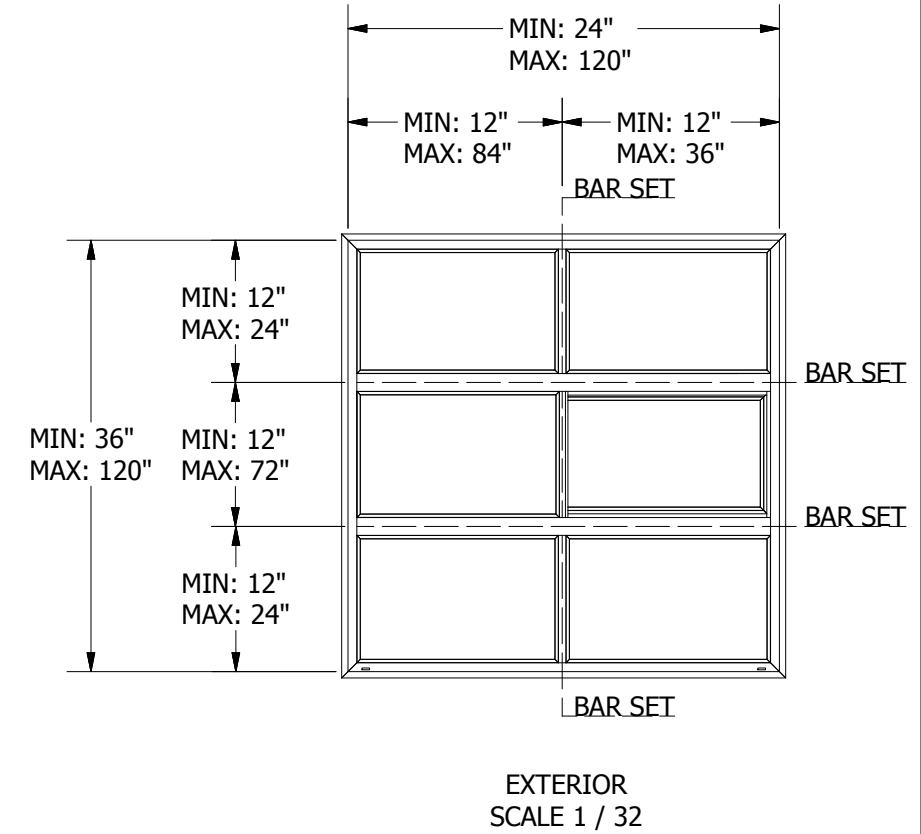


JAMB
SCALE 1 / 32



FRAME REINFORCEMENT INSTALLED
IN FRAMES LARGER THAN 36" IN WIDTH

TOLERANCE DECIMAL X.X ± 0.100 X.XX ± 0.025 X.XXX ± 0.005 FRACTIONAL X/X ± 1/32 ANGULAR X ± 1.0° X.X ± 0.2°	DRAWN	bputre	11/13/2017	
	CHECKED			
	APPROVED			
	SIZE	B	SCALE 1 / 32	SHEET 1 of 1
	PROJECT	530 - 591 ENDURANCE		

vpi Quality Windows

3420 E Ferry Ave. Spokane, WA 99202 • www.vpiwindows.com

THIS DOCUMENT IS PROPRIETARY AND CONFIDENTIAL. NO PART OF THIS DOCUMENT MAY BE DISCLOSED IN ANY MANNER TO A THIRD PARTY WITHOUT THE PRIOR WRITTEN CONSENT BY VPI QUALITY WINDOWS.

SHEET	OXAUT STUCCO KEY LAYOUT	REV
-------	-------------------------	-----