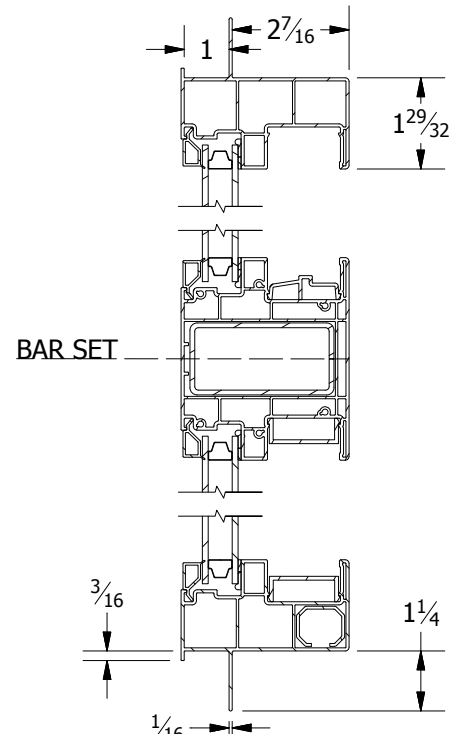
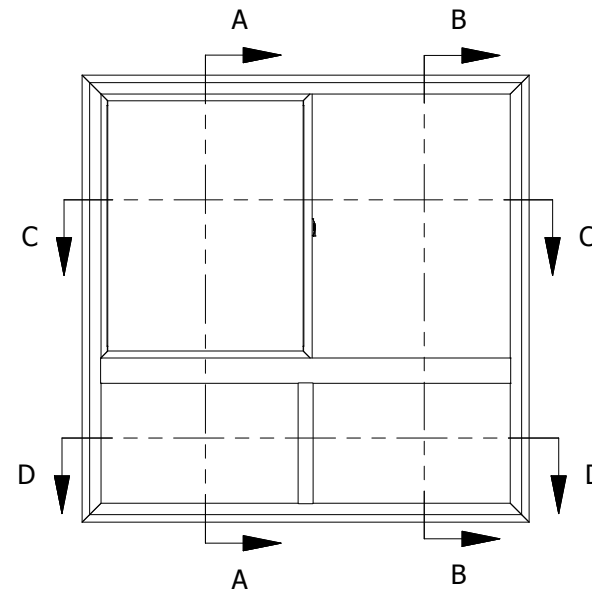


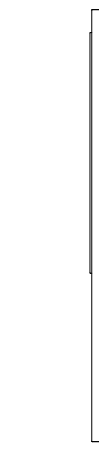
SECTION A-A  
SCALE 1 / 4



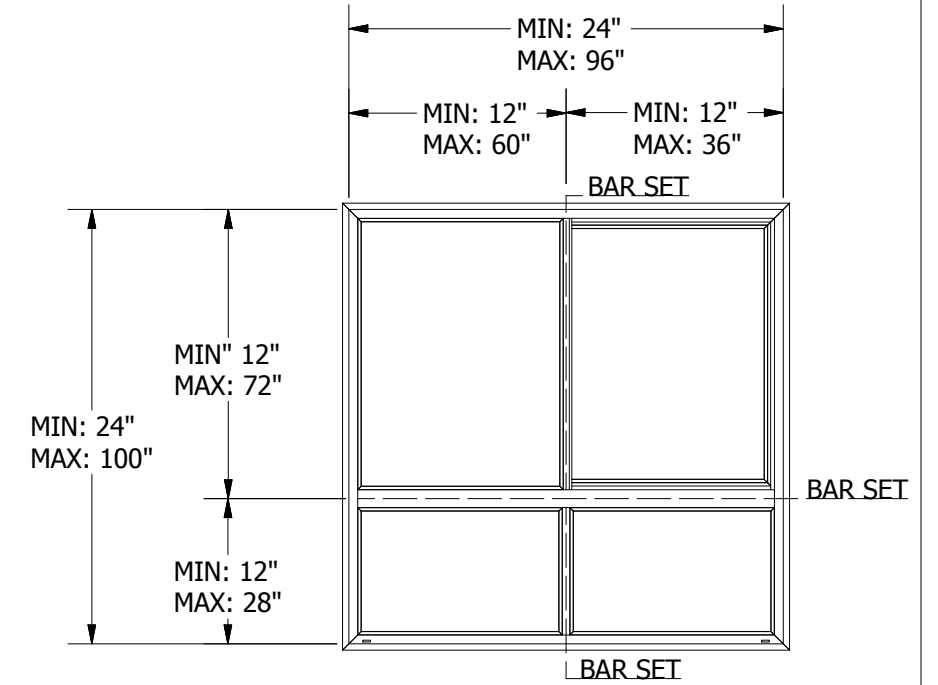
SECTION B-B  
SCALE 1 / 4



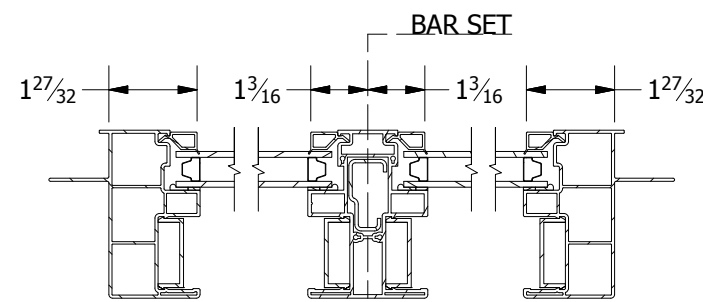
INTERIOR  
SCALE 1 / 32



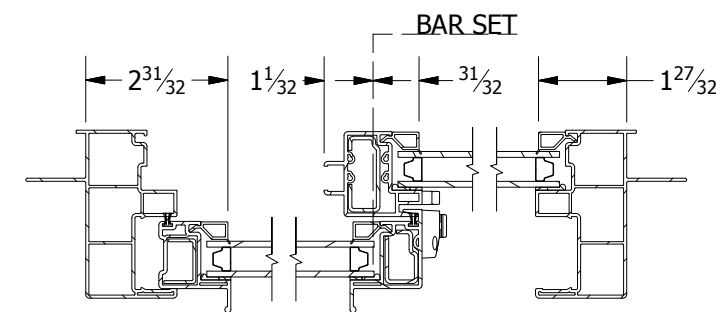
JAMB  
SCALE 1 / 32



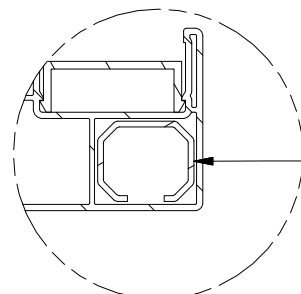
EXTERIOR  
SCALE 1 / 32



SECTION D-D  
SCALE 1 / 4



SECTION C-C  
SCALE 1 / 4



DETAIL E  
SCALE 1 / 2

FRAME REINFORCEMENT INSTALLED  
IN FRAMES LARGER THAN 36" IN WIDTH

<b>TOLERANCE</b>	DECIMAL	DRAWN	11/9/2017
	X.X ± 0.100	bpoutre	
	X.XX ± 0.025	CHECKED	
	X.XXX ± 0.005	APPROVED	
FRACTIONAL	SIZE	SCALE	SHEET
X/X ± 1/32	B	1 / 32	1 of 1
ANGULAR	PRODUCT FAMILY		
X ± 1.0'	530 - 591 ENDURANCE		
X.X ± 0.2'	PROJECT		



3420 E Ferry Ave. Spokane, WA 99202 • www.vpiwindows.com  
THIS DOCUMENT IS PROPRIETARY AND CONFIDENTIAL. NO PART OF THIS DOCUMENT MAY BE DISCLOSED IN ANY MANNER TO A THIRD PARTY WITHOUT THE PRIOR WRITTEN CONSENT BY VPI QUALITY WINDOWS.

SHEET	REV
OXAT STUCCO KEY LAYOUT	