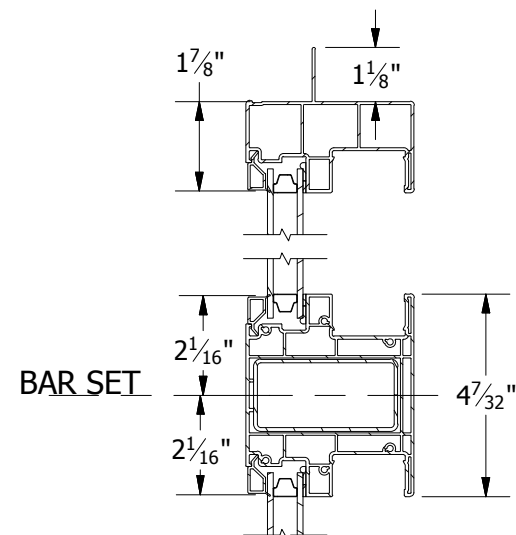
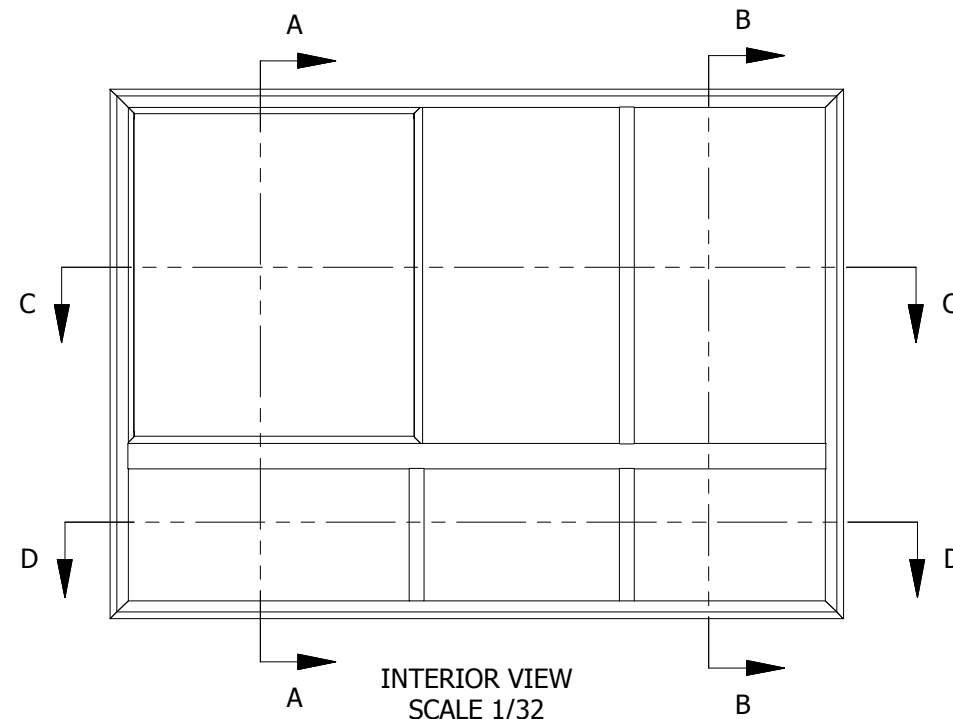
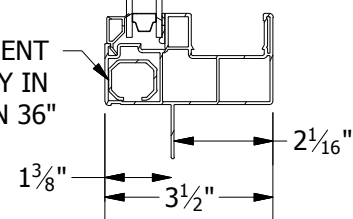


SECTION A-A
SCALE 1 / 4



SECTION B-B
SCALE 1 / 4

SILL REINFORCEMENT
ONLY IN
FRAMES LARGER THAN 36"



INTERIOR VIEW
SCALE 1/32

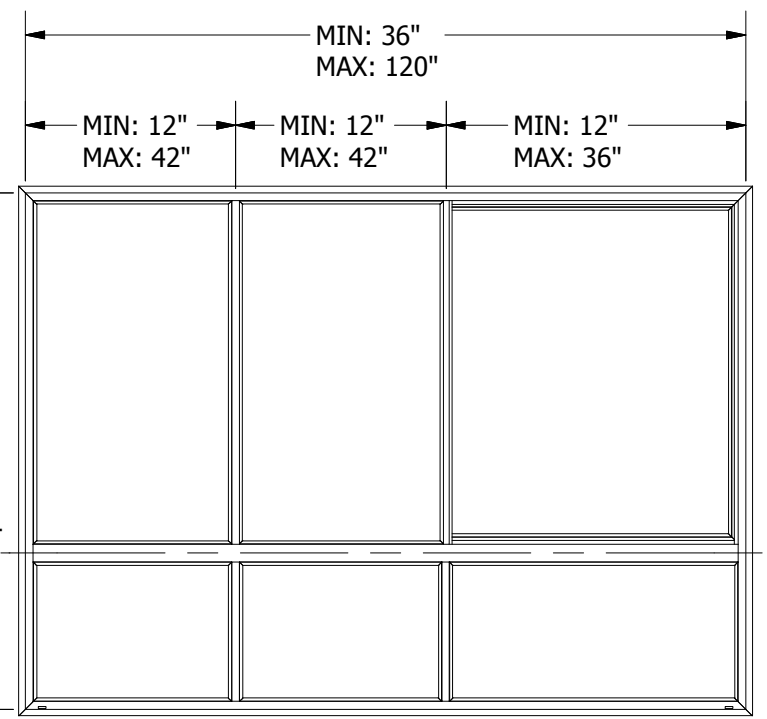
JAMB VIEW
SCALE 1/32



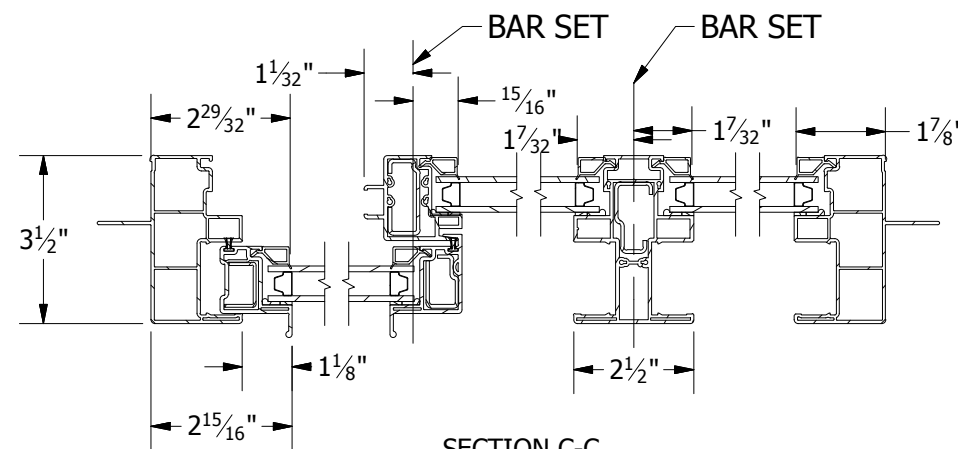
MIN: 13-5/8"
MAX: 56"

MIN: 25-1/2"
MAX: 96"

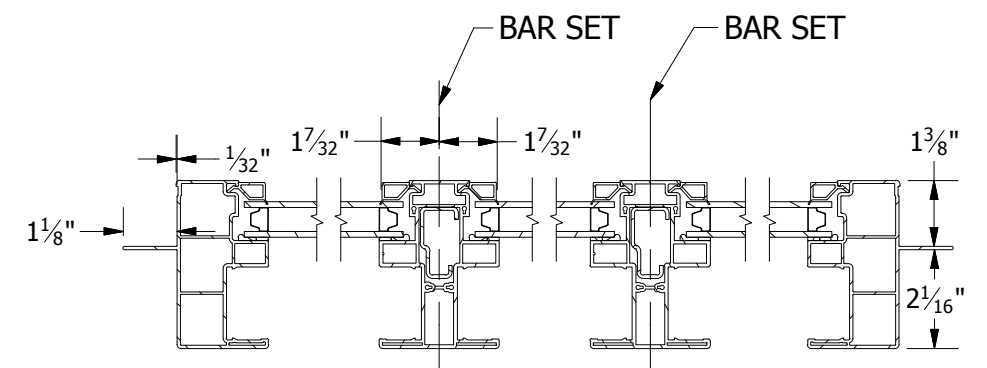
MIN: 12"
MAX: 40"



EXTERIOR VIEW
SCALE 1/32



SECTION C-C
SCALE 1 / 4



SECTION D-D
SCALE 1 / 4

TOLERANCE	DECIMAL	2/1/2017
	FRACTIONAL	
X.X ± 0.100		
X.XX ± 0.025		
X.XXX ± 0.005		
X/X ± 1/32		
ANGULAR		
X ± 1.0°		
X.X ± 0.2°		
DRAWN	bputre	
CHECKED		
APPROVED		
SIZE	B	SHEET 1 of 1
SCALE	1/32	
PRODUCT FAMILY	531 ENDURANCE	
PROJECT	OOXAT LAYOUT	



3420 E Ferry Ave. Spokane, WA 99202 • www.vpiwindows.com
THIS DOCUMENT IS PROPRIETARY AND CONFIDENTIAL. NO PART OF THIS DOCUMENT MAY BE DISCLOSED IN ANY MANNER TO A THIRD PARTY WITHOUT THE PRIOR WRITTEN CONSENT BY VPI QUALITY WINDOWS.

SHEET	REV
OOXAT LAYOUT	