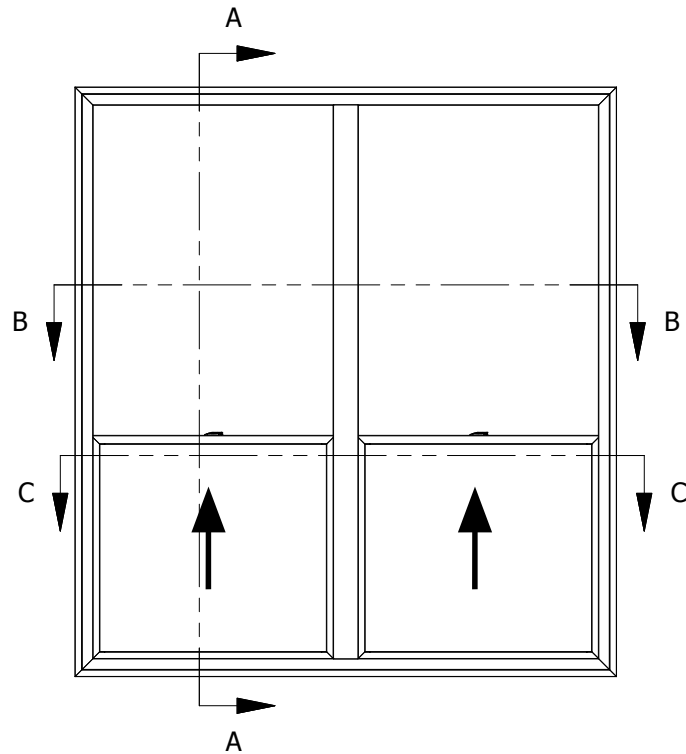
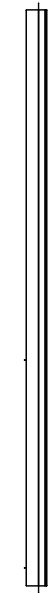


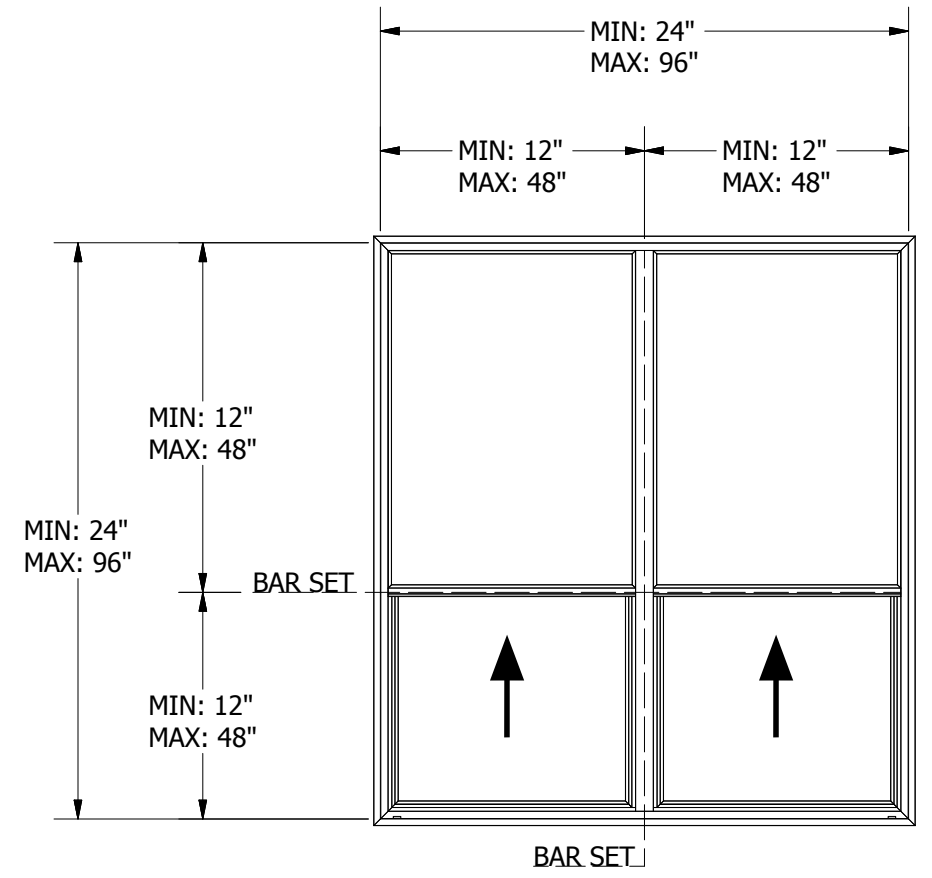
SECTION A-A
SCALE 1 / 4



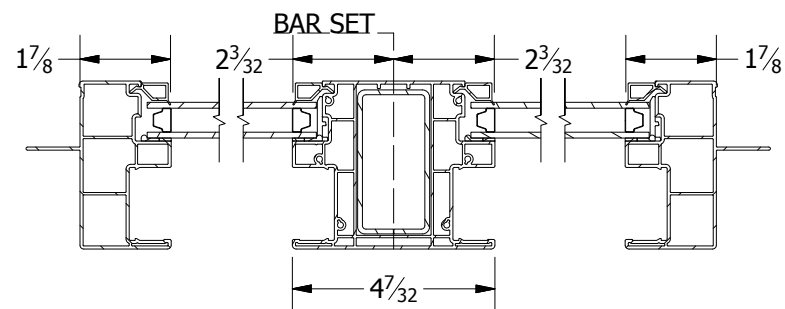
INTERIOR
SCALE 1 / 32



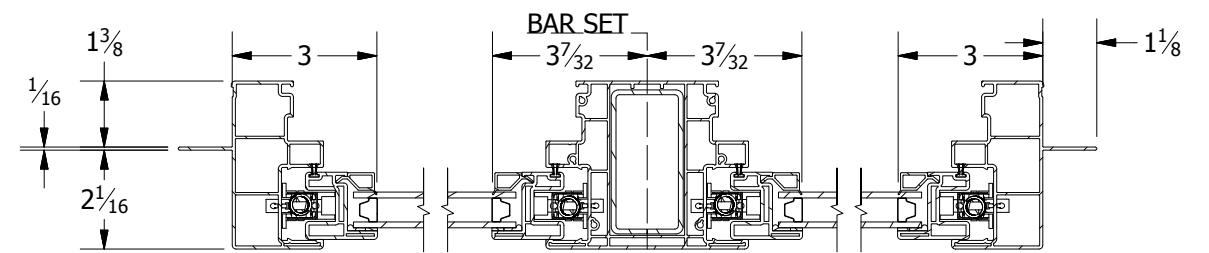
JAMB
SCALE 1 / 32



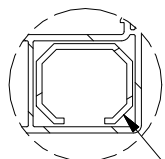
EXTERIOR
SCALE 1 / 32



SECTION B-B
SCALE 1 / 4



SECTION C-C
SCALE 1 / 4



DETAIL E
SCALE 1 / 2
FRAME REINFORCEMENT INSTALLED
INTO FRAMES LARGER THAN 36" IN WIDTH

TOLERANCE	DECIMAL		
	X.X ± 0.100		
	X.XX ± 0.025		
	X.XXX ± 0.005		
	FRACTIONAL		
X/X ± 1/32			
ANGULAR			
X ± 1.0°			
X.X ± 0.2°			
DRAWN	bputre	2/21/2018	
CHECKED			
APPROVED			
SIZE	B	SCALE 1 / 32	SHEET 1 of 1
PRODUCT FAMILY	530 -591 ENDURANCE		
PROJECT			



3420 E Ferry Ave. Spokane, WA 99202 • www.vpiwindows.com
THIS DOCUMENT IS PROPRIETARY AND CONFIDENTIAL. NO PART OF THIS DOCUMENT MAY BE DISCLOSED IN ANY MANNER TO A THIRD PARTY WITHOUT THE PRIOR WRITTEN CONSENT BY VPI QUALITY WINDOWS.

SHEET	REV
SHISH LAYOUT	