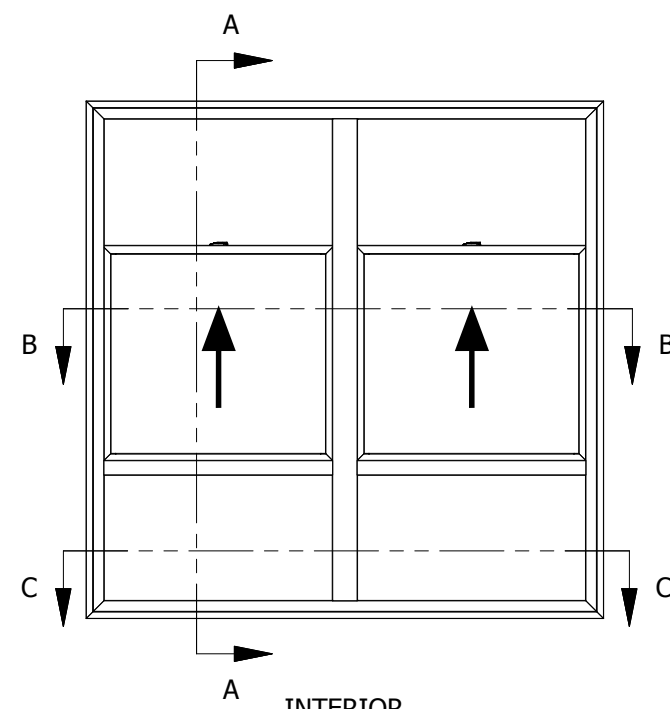


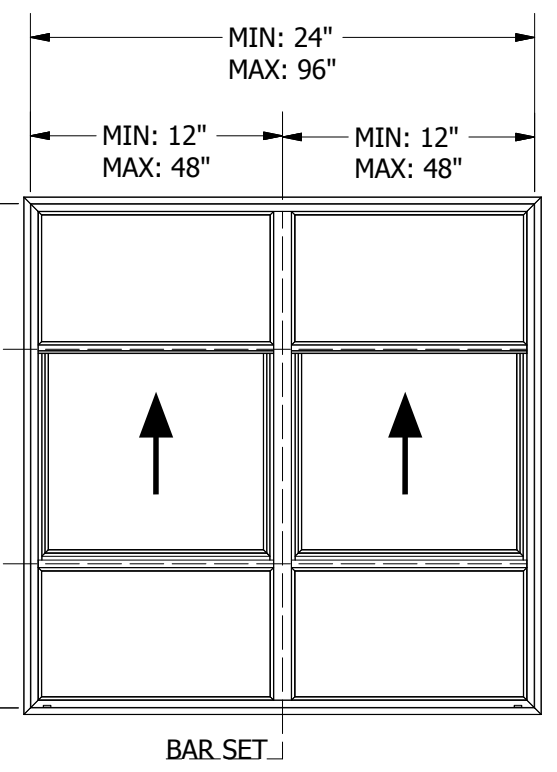
SECTION A-A
SCALE 1 / 4



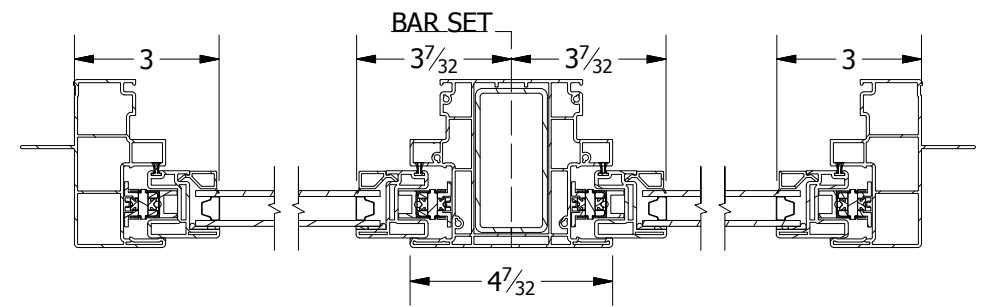
INTERIOR
SCALE 1 / 32



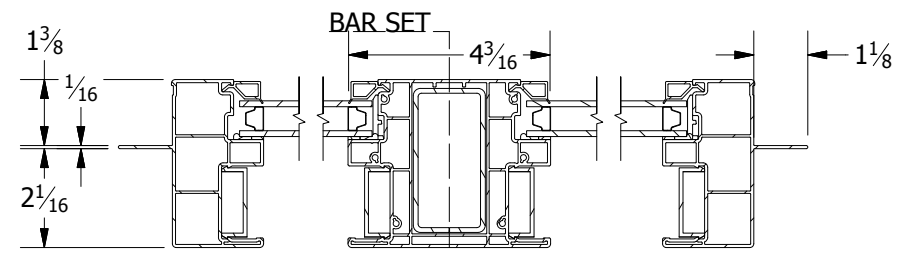
JAMB
SCALE 1 / 32



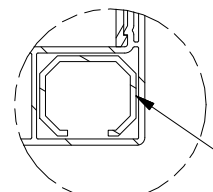
EXTERIOR
SCALE 1 / 32



SECTION B-B
SCALE 1 / 4



SECTION C-C
SCALE 1 / 4



DETAIL D
SCALE 1 / 2

FRAME REINFORCEMENT INSTALLED INTO FRAMES LARGER THAN 36" IN WIDTH

TOLERANCE	DECIMAL	DRAWN	bputre	3/2/2018
	X.X ± 0.100	CHECKED		
	X.XX ± 0.025	APPROVED		
	X.XXX ± 0.005	SIZE	B	SCALE 1 / 32 SHEET 1 of 1
	FRACTIONAL	PRODUCT FAMILY	530 - 591 ENDURANCE	
X/X ± 1/32	PROJECT			
ANGULAR				
X ± 1.0'				
X.X ± 0.2'				

vpi Quality Windows

3420 E Ferry Ave. Spokane, WA 99202 • www.vpiwindows.com

THIS DOCUMENT IS PROPRIETARY AND CONFIDENTIAL. NO PART OF THIS DOCUMENT MAY BE DISCLOSED IN ANY MANNER TO A THIRD PARTY WITHOUT THE PRIOR WRITTEN CONSENT BY VPI QUALITY WINDOWS.

SHEET	SHAISHA LAYOUT	REV
-------	----------------	-----