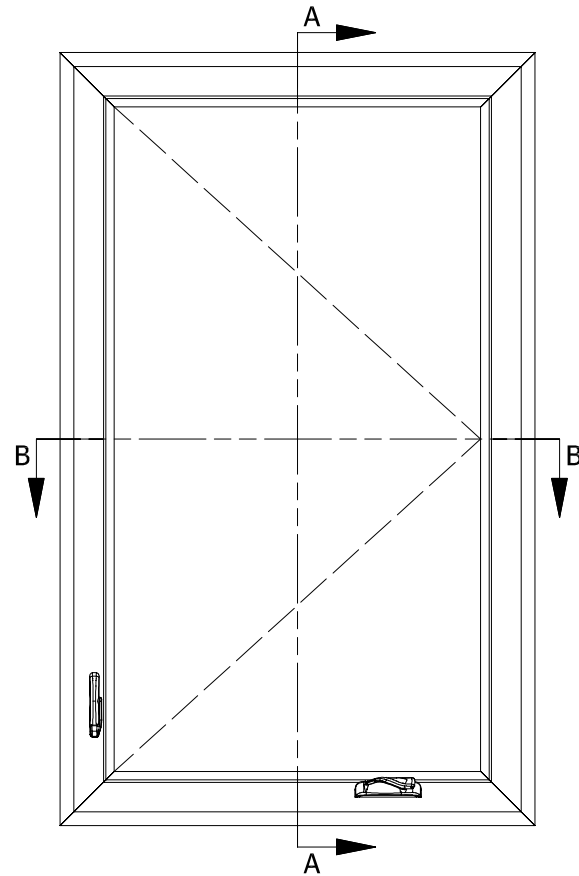
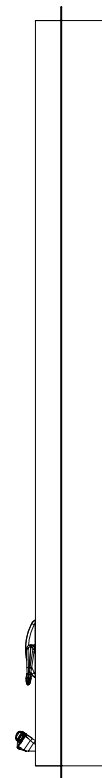


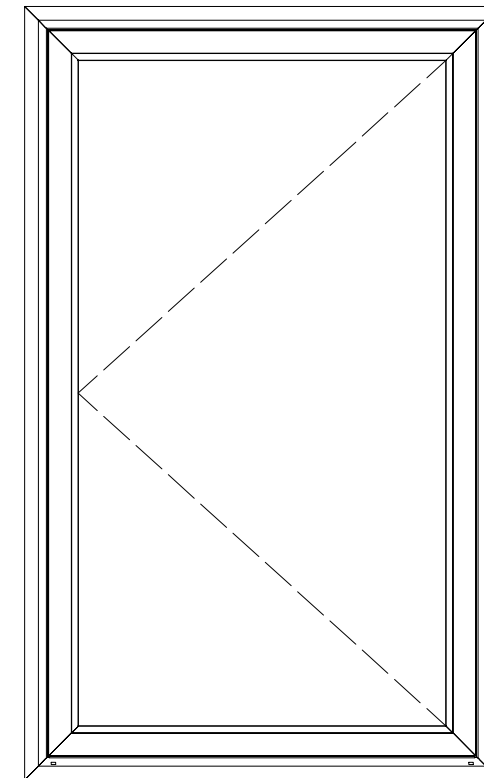
SECTION A-A  
SCALE 1 / 4



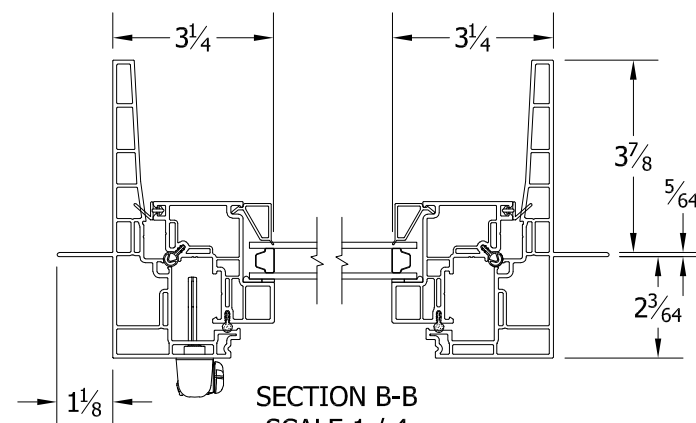
INTERIOR VIEW  
SCALE 1/16



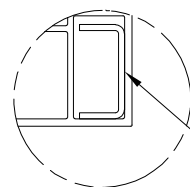
JAMB VIEW  
SCALE 1/16



EXTERIOR VIEW  
SCALE 1/16



SECTION B-B  
SCALE 1 / 4



DETAIL C  
SCALE 1 / 2

SILL REINFORCEMENT INSTALLED IN FRAMES  
LARGER THAN 40 SQ.FT. OR  
SILLS 95" AND LARGER OR ON  
CUSTOMER REQUEST

<b>TOLERANCE</b> DECIMAL X.X ± 0.100 X.XX ± 0.025 X.XXX ± 0.005 FRACTIONAL X/X ± 1/32 ANGULAR X ± 1.0° X.X ± 0.2°	DRAWN bpoutre	12/08/2022
	CHECKED	
	APPROVED	
	SIZE B	SCALE 1/16 SHEET 1 of 1
PRODUCT FAMILY	<b>511 ENDURANCE</b>	
PROJECT		



**3420 E Ferry Ave. Spokane, WA 99202 • www.vpiwindows.com**  
THIS DOCUMENT IS PROPRIETARY AND CONFIDENTIAL. NO PART OF THIS DOCUMENT MAY BE DISCLOSED  
IN ANY MANNER TO A THIRD PARTY WITHOUT THE PRIOR WRITTEN CONSENT BY VPI QUALITY WINDOWS.

SHEET CA_HL LAYOUT	REV
-----------------------	-----