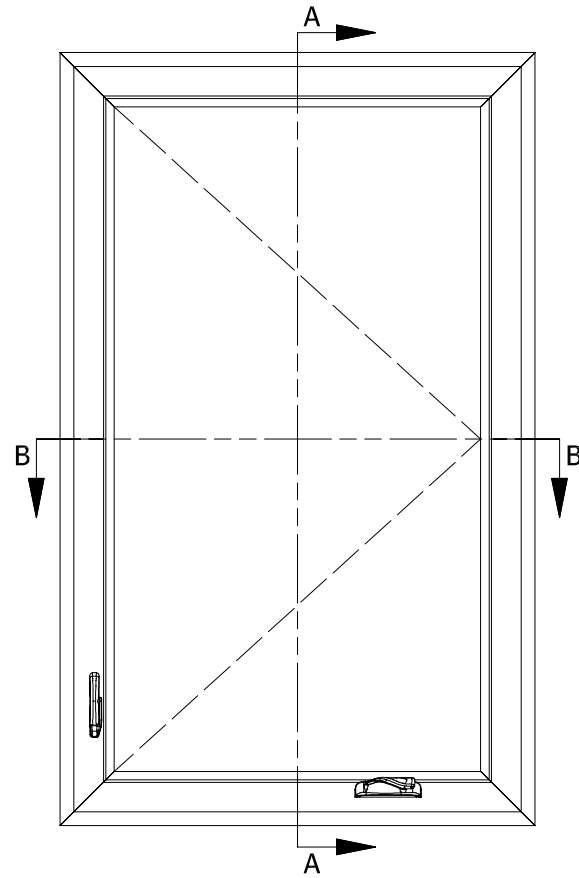
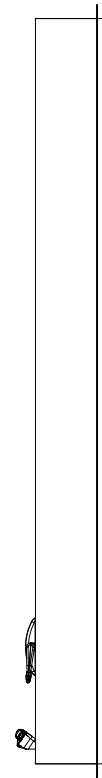


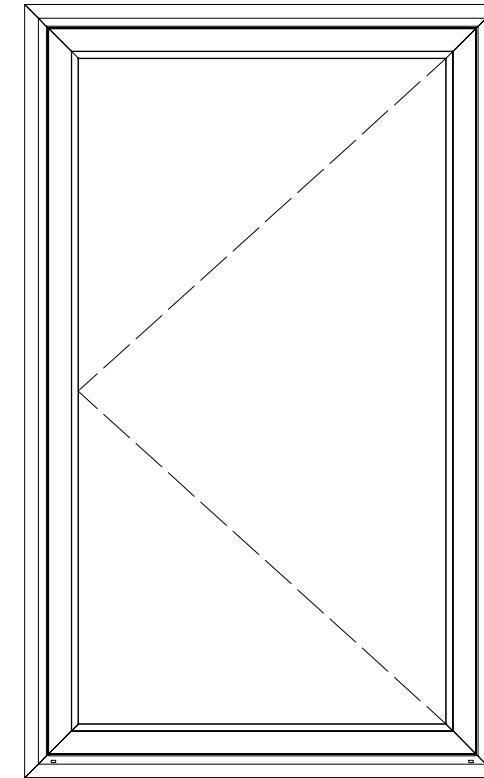
SECTION A-A
SCALE 1 / 4



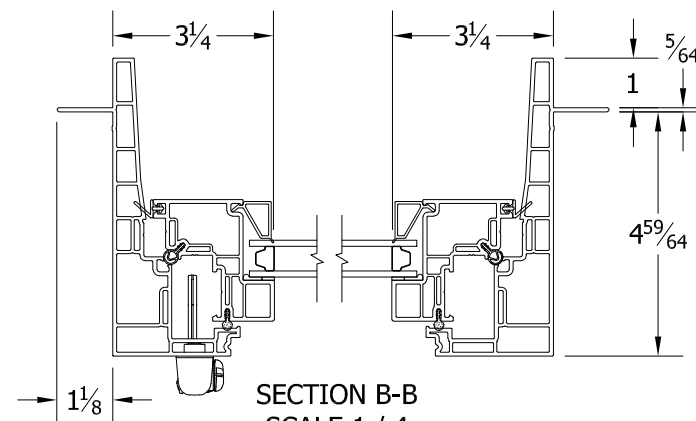
INTERIOR VIEW
SCALE 1/16



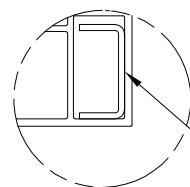
JAMB VIEW
SCALE 1/16



EXTERIOR VIEW
SCALE 1/16



SECTION B-B
SCALE 1 / 4



DETAIL C
SCALE 1 / 2

SILL REINFORCEMENT INSTALLED IN FRAMES
LARGER THAN 40 SQ.FT. OR
SILLS 95" AND LARGER OR ON
CUSTOMER REQUEST

TOLERANCE	DRAWN	12/08/2022	
	DECIMAL	bputre	
	X.X ± 0.100	CHECKED	
	X.XX ± 0.025	APPROVED	
X.XXX ± 0.005	SIZE	SCALE	SHEET
FRACTIONAL	B	1/16	1 of 1
X/X ± 1/32	PRODUCT FAMILY	511 ENDURANCE	
ANGULAR	PROJECT		
X ± 1.0'			
X.X ± 0.2'			



3420 E Ferry Ave. Spokane, WA 99202 • www.vpiwindows.com
THIS DOCUMENT IS PROPRIETARY AND CONFIDENTIAL. NO PART OF THIS DOCUMENT MAY BE DISCLOSED
IN ANY MANNER TO A THIRD PARTY WITHOUT THE PRIOR WRITTEN CONSENT BY VPI QUALITY WINDOWS.

SHEET
CA_HL LAYOUT

REV