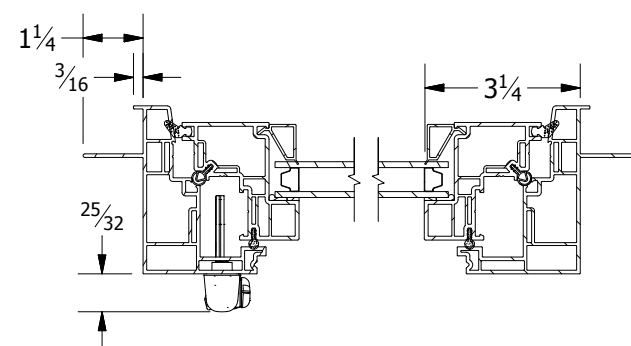
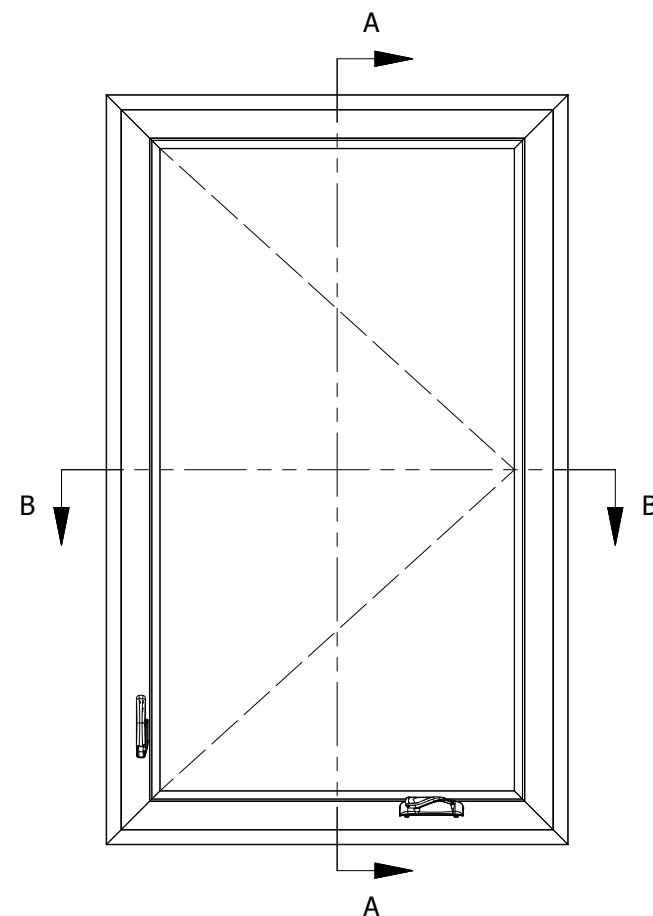


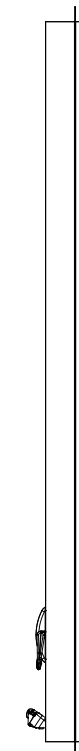
SECTION A-A
SCALE 1 / 4



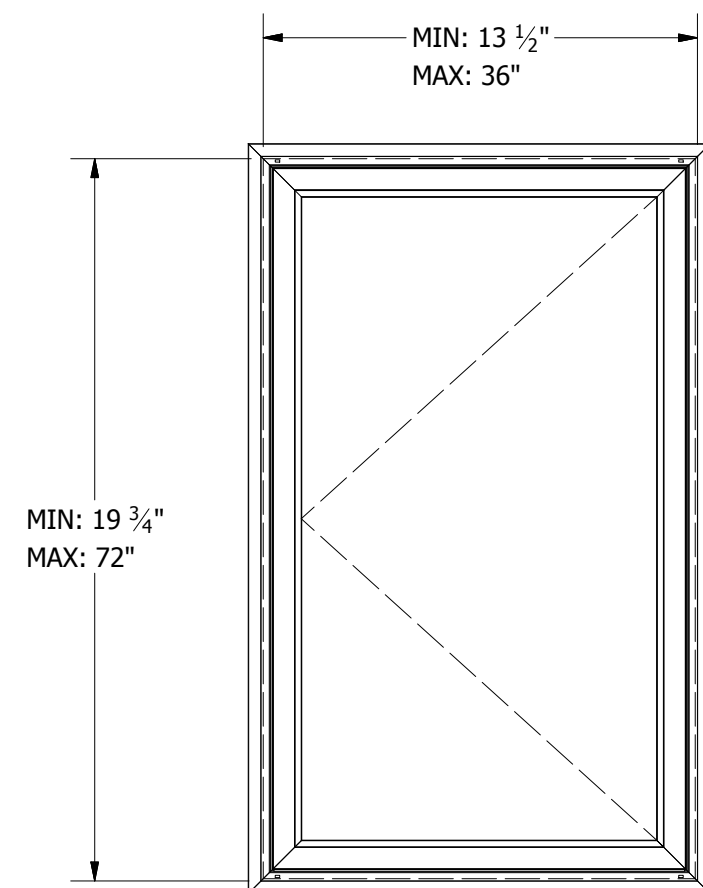
SECTION B-B
SCALE 1 / 4



INTERIOR
SCALE 1/16



JAMB
SCALE 1/16



EXTERIOR
SCALE 1/16

TOLERANCE DECIMAL X.X ± 0.100 X.XX ± 0.025 X.XXX ± 0.005 FRACTIONAL X/X ± 1/32 ANGULAR X ± 1.0° X.X ± 0.2°	DRAWN	bputre		3/14/2018		
	CHECKED					
	APPROVED					
	SIZE	B	SCALE	1/16	SHEET	1 of 1
	PRODUCT FAMILY	510 - 511 ENDURANCE				
PROJECT						



3420 E Ferry Ave. Spokane, WA 99202 • www.vpiwindows.com
THIS DOCUMENT IS PROPRIETARY AND CONFIDENTIAL. NO PART OF THIS DOCUMENT MAY BE DISCLOSED IN ANY MANNER TO A THIRD PARTY WITHOUT THE PRIOR WRITTEN CONSENT BY VPI QUALITY WINDOWS.

SHEET	CA HL W/ STUCCO KEY	REV
-------	---------------------	-----