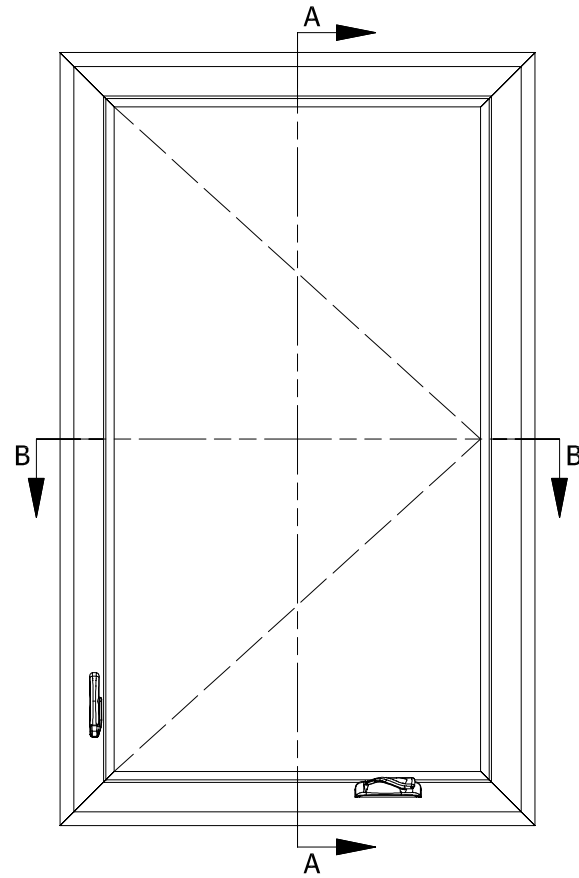
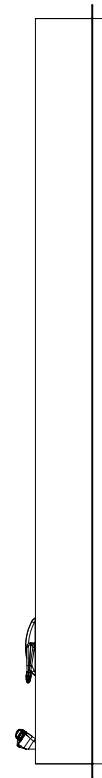


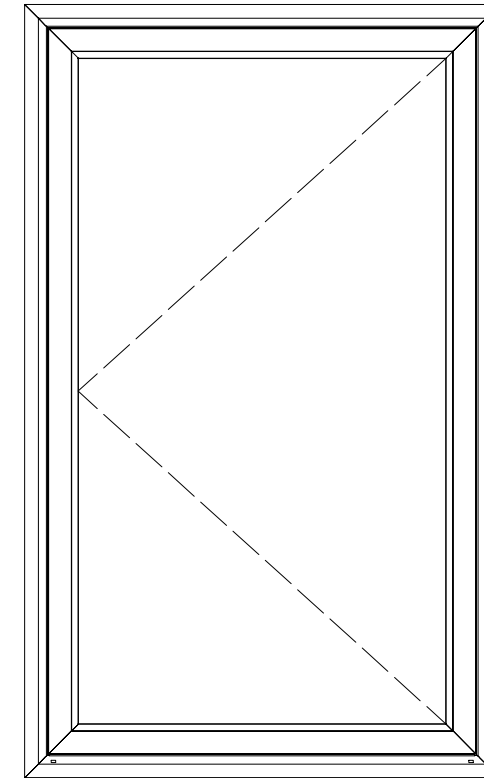
SECTION A-A
SCALE 1 / 4



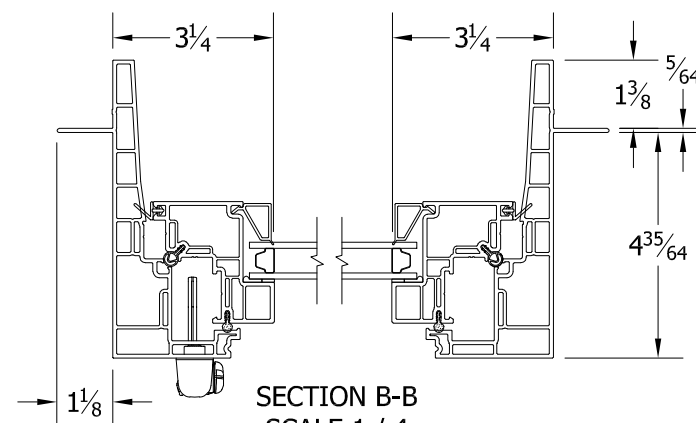
INTERIOR VIEW
SCALE 1/16



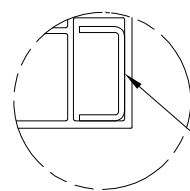
JAMB VIEW
SCALE 1/16



EXTERIOR VIEW
SCALE 1/16



SECTION B-B
SCALE 1 / 4



DETAIL C
SCALE 1 / 2

SILL REINFORCEMENT INSTALLED IN FRAMES
LARGER THAN 40 SQ.FT. OR
SILLS 95" AND LARGER OR ON
CUSTOMER REQUEST

TOLERANCE DECIMAL X.X ± 0.100 X.XX ± 0.025 X.XXX ± 0.005 FRACTIONAL X/X ± 1/32 ANGULAR X ± 1.0° X.X ± 0.2°	DRAWN bpoutre	12/08/2022
	CHECKED	
	APPROVED	
	SIZE B	SCALE 1/16 SHEET 1 of 1
PRODUCT FAMILY	511 ENDURANCE	
PROJECT		



3420 E Ferry Ave. Spokane, WA 99202 • www.vpiwindows.com
THIS DOCUMENT IS PROPRIETARY AND CONFIDENTIAL. NO PART OF THIS DOCUMENT MAY BE DISCLOSED
IN ANY MANNER TO A THIRD PARTY WITHOUT THE PRIOR WRITTEN CONSENT BY VPI QUALITY WINDOWS.

SHEET CA_HL LAYOUT	REV
-----------------------	-----