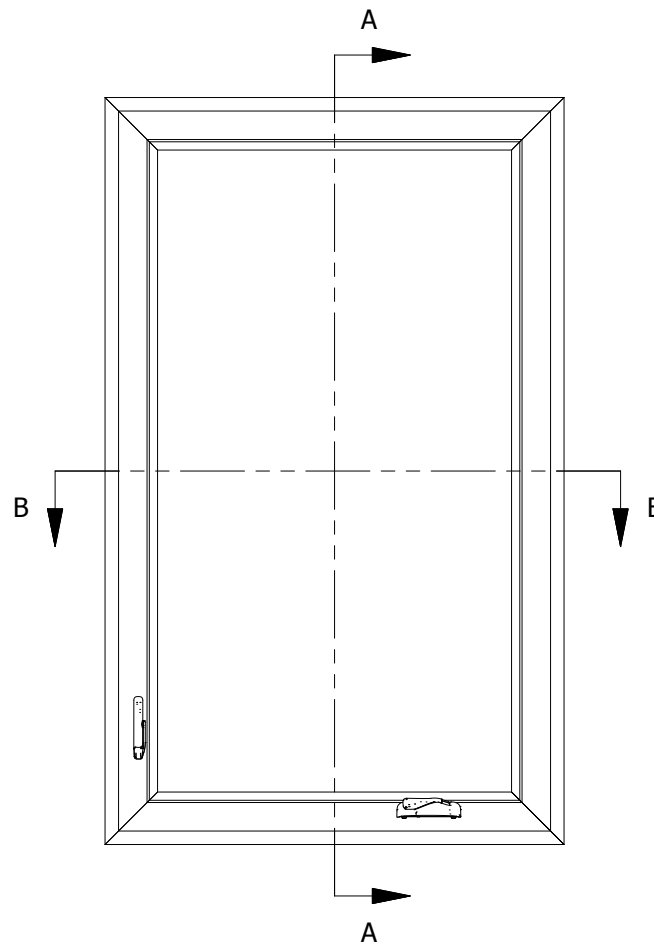


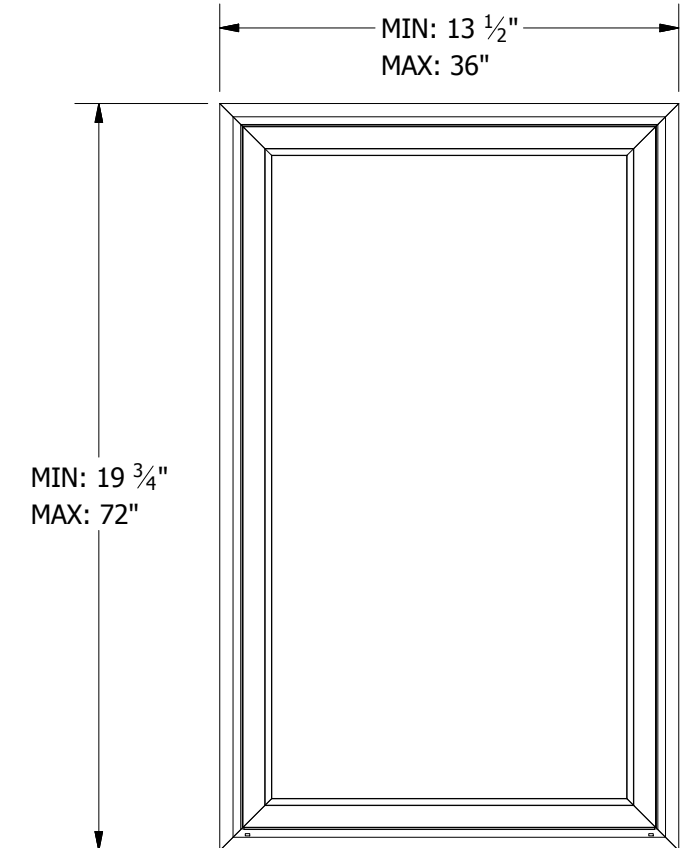
SECTION A-A
SCALE 1 / 4



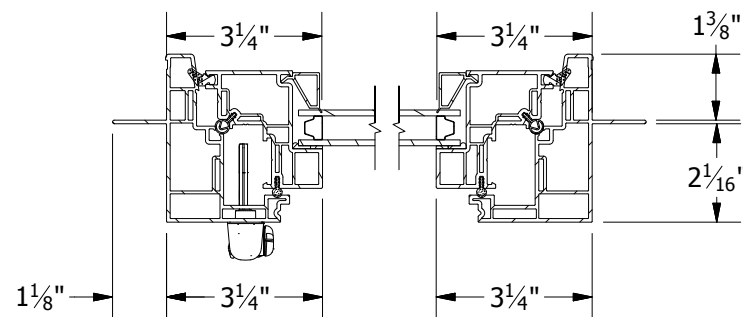
INTERIOR VIEW
SCALE 1/16



JAMB VIEW
SCALE 1/16



EXTERIOR VIEW
SCALE 1/16



SECTION B-B
SCALE 1 / 4

TOLERANCE DECIMAL X.X ± 0.100 X.XX ± 0.025 X.XXX ± 0.005 FRACTIONAL X/X ± 1/32 ANGULAR X ± 1.0° X.X ± 0.2°	DRAWN	4/5/2017				
	CHECKED					
	APPROVED					
	SIZE	B	SCALE	1/16	SHEET	1 of 1
	PRODUCT FAMILY	511 ENDURANCE				
PROJECT						



3420 E Ferry Ave. Spokane, WA 99202 • www.vpiwindows.com
 THIS DOCUMENT IS PROPRIETARY AND CONFIDENTIAL. NO PART OF THIS DOCUMENT MAY BE DISCLOSED IN ANY MANNER TO A THIRD PARTY WITHOUT THE PRIOR WRITTEN CONSENT BY VPI QUALITY WINDOWS.

SHEET	REV
CA_HL LAYOUT	