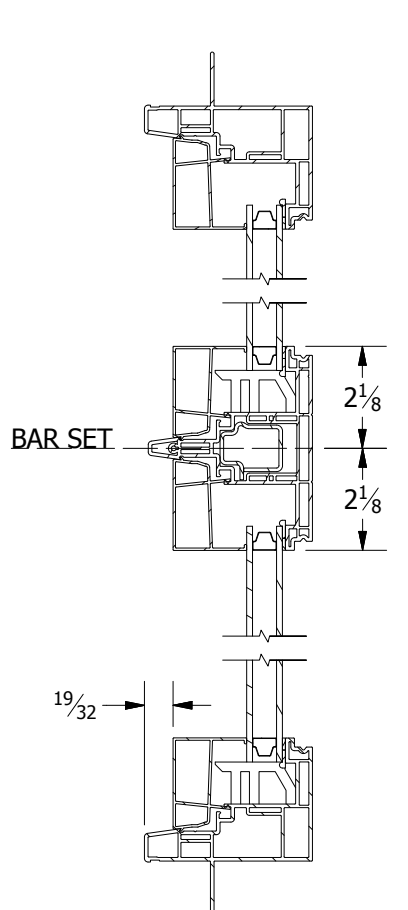
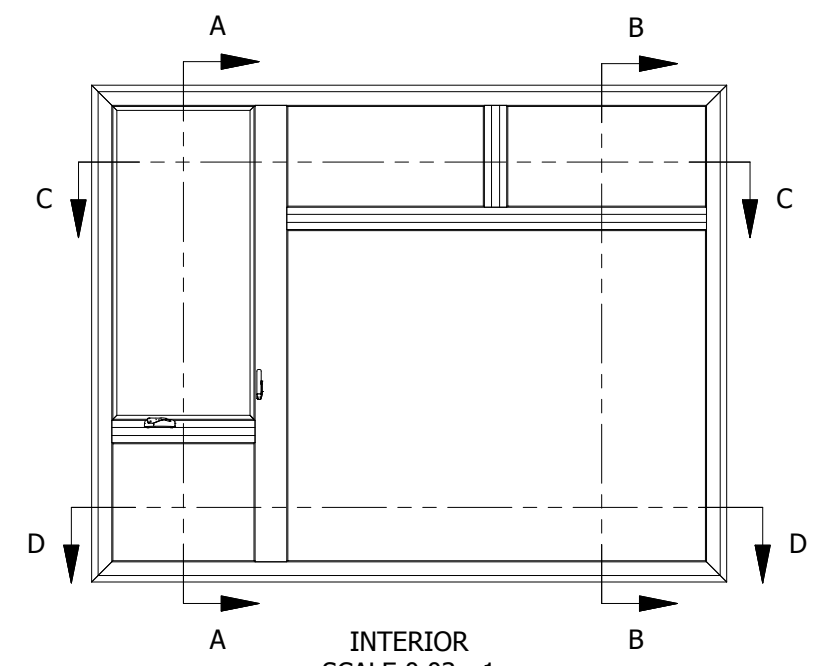


SECTION A-A
SCALE 1 / 4

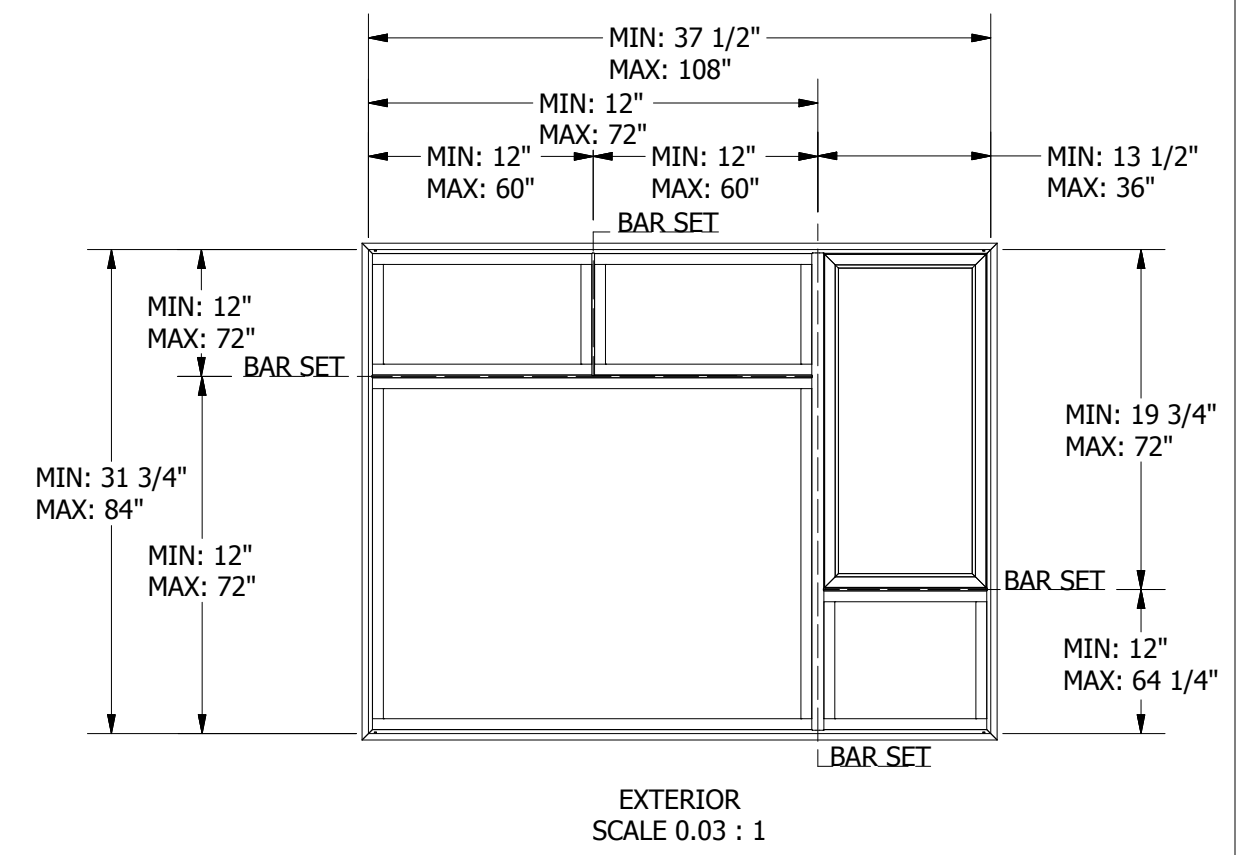


SECTION B-B
SCALE 1 / 4

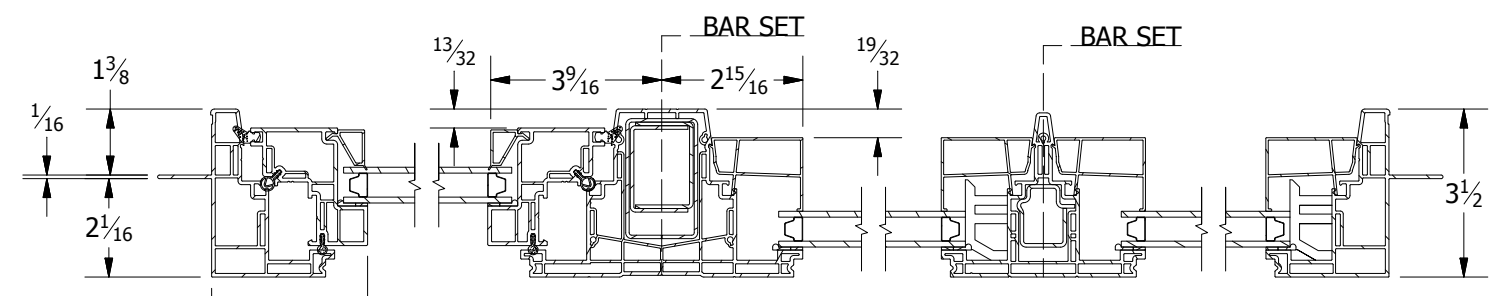


INTERIOR
SCALE 0.03 : 1

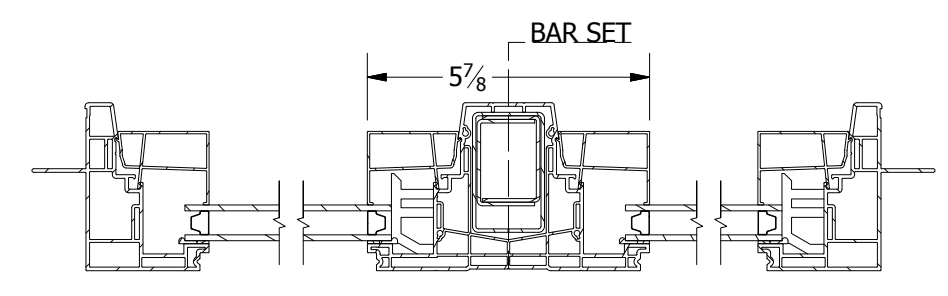
JAMB
SCALE 0.03 : 1



EXTERIOR
SCALE 0.03 : 1



SECTION C-C
SCALE 1 / 4



SECTION D-D
SCALE 1 / 4

TOLERANCE	DRAWN	bpoutre	10/9/2017
	CHECKED		
	APPROVED		
	SIZE	B	SCALE 0.03 : 1
PRODUCT FAMILY			
510 -511 ENDURANCE			
PROJECT			



3420 E Ferry Ave. Spokane, WA 99202 • www.vpiwindows.com
THIS DOCUMENT IS PROPRIETARY AND CONFIDENTIAL. NO PART OF THIS DOCUMENT MAY BE DISCLOSED IN ANY MANNER TO A THIRD PARTY WITHOUT THE PRIOR WRITTEN CONSENT BY VPI QUALITY WINDOWS.

SHEET	PPC-PP LAYOUT	REV
-------	---------------	-----