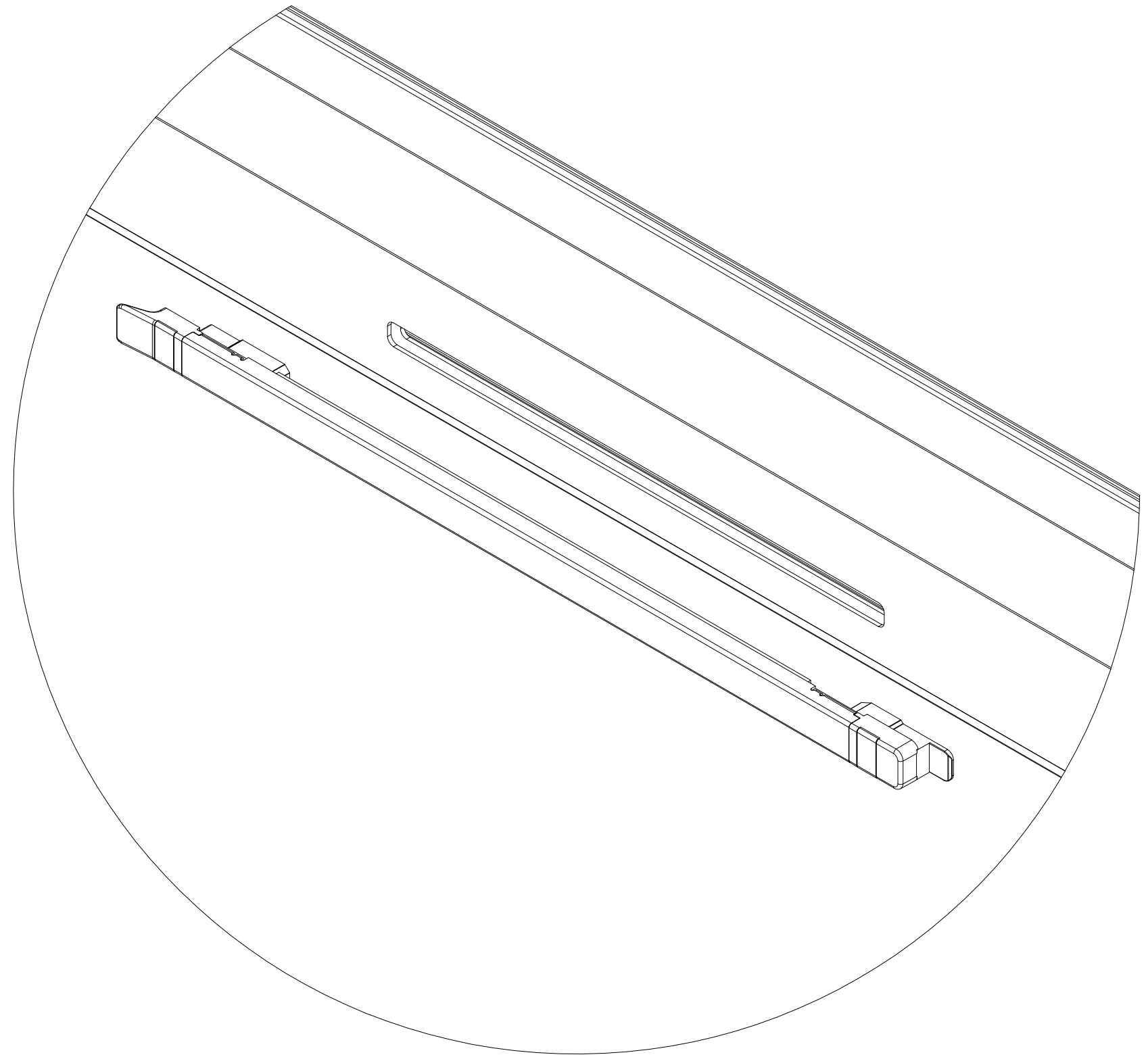


INTERIOR ISO VIEW
SCALE 1 / 8



DETAIL A
SCALE 1 / 2

TOLERANCE DECIMAL X.X ± 0.100 X.XX ± 0.025 X.XXX ± 0.005 FRACTIONAL X/X ± 1/32 ANGULAR X ± 1.0° X.X ± 0.2'	DRAWN	8/10/2017	
	bpoutre		
	CHECKED		
	APPROVED		
SIZE	B	SCALE 1 / 8	SHEET 1 of 4
PRODUCT FAMILY	510 - 511 ENDURANCE		
PROJECT			



3420 E Ferry Ave. Spokane, WA 99202 • www.vpiwindows.com
THIS DOCUMENT IS PROPRIETARY AND CONFIDENTIAL. NO PART OF THIS DOCUMENT MAY BE DISCLOSED IN ANY MANNER TO A THIRD PARTY WITHOUT THE PRIOR WRITTEN CONSENT BY VPI QUALITY WINDOWS.

SHEET	REV
CA-HL W/FAV OPEN	