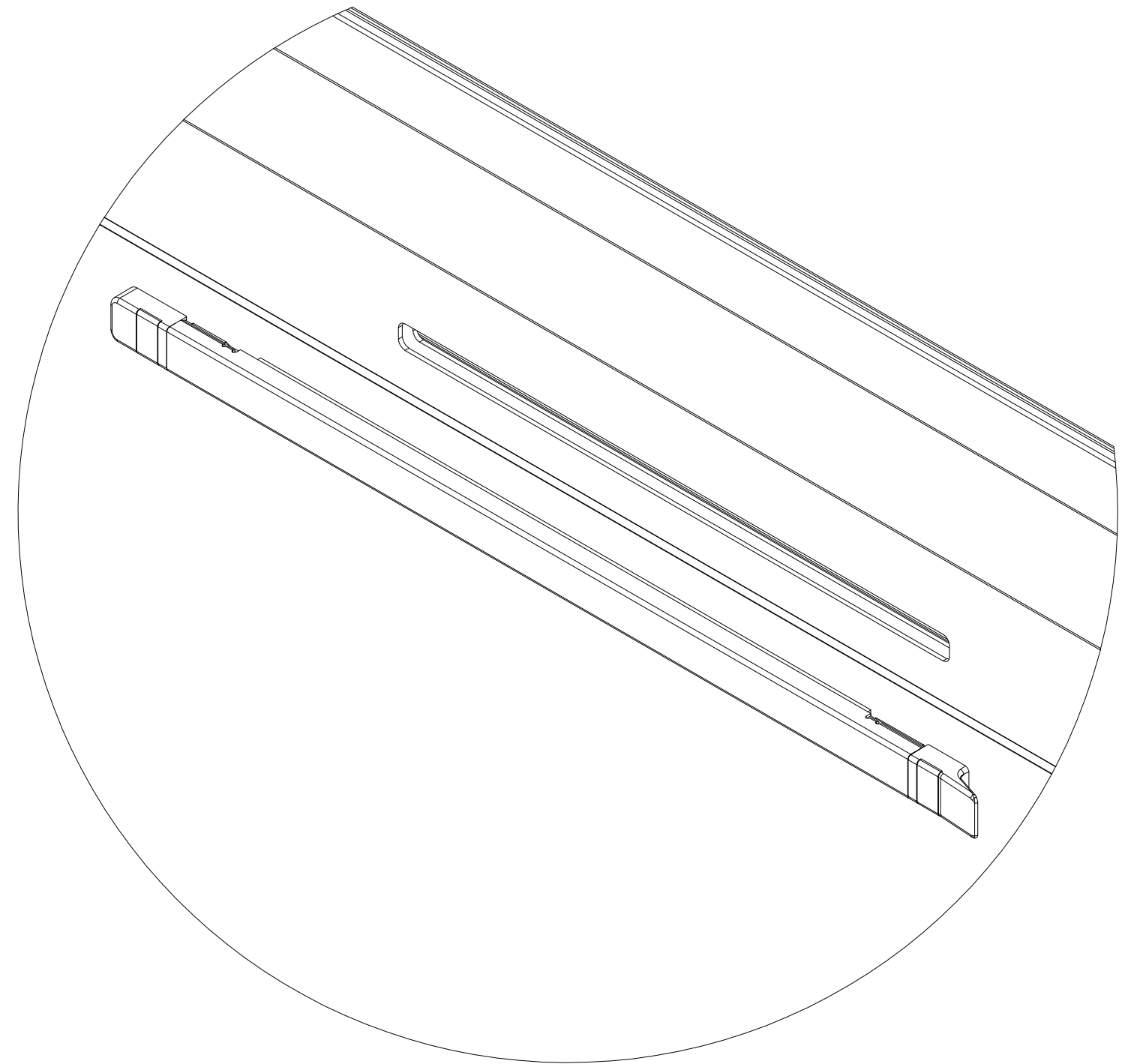


INTERIOR ISO VIEW
SCALE 1/8



DETAIL A
SCALE 1 / 2

TOLERANCE DECIMAL X.X ± 0.100 X.XX ± 0.025 X.XXX ± 0.005 FRACTIONAL X/X ± 1/32 ANGULAR X ± 1.0° X.X ± 0.2'	DRAWN		8/10/2017		
	bpoutre				
	CHECKED				
	APPROVED				
	SIZE	B	SCALE	1/8	SHEET
PRODUCT FAMILY					
510- 511 ENDURANCE					
PROJECT					
				SHEET	
				CA-HL W/FAV CLOSED	
				REV	



3420 E Ferry Ave. Spokane, WA 99202 • www.vpiwindows.com
 THIS DOCUMENT IS PROPRIETARY AND CONFIDENTIAL. NO PART OF THIS DOCUMENT MAY BE DISCLOSED
 IN ANY MANNER TO A THIRD PARTY WITHOUT THE PRIOR WRITTEN CONSENT BY VPI QUALITY WINDOWS.