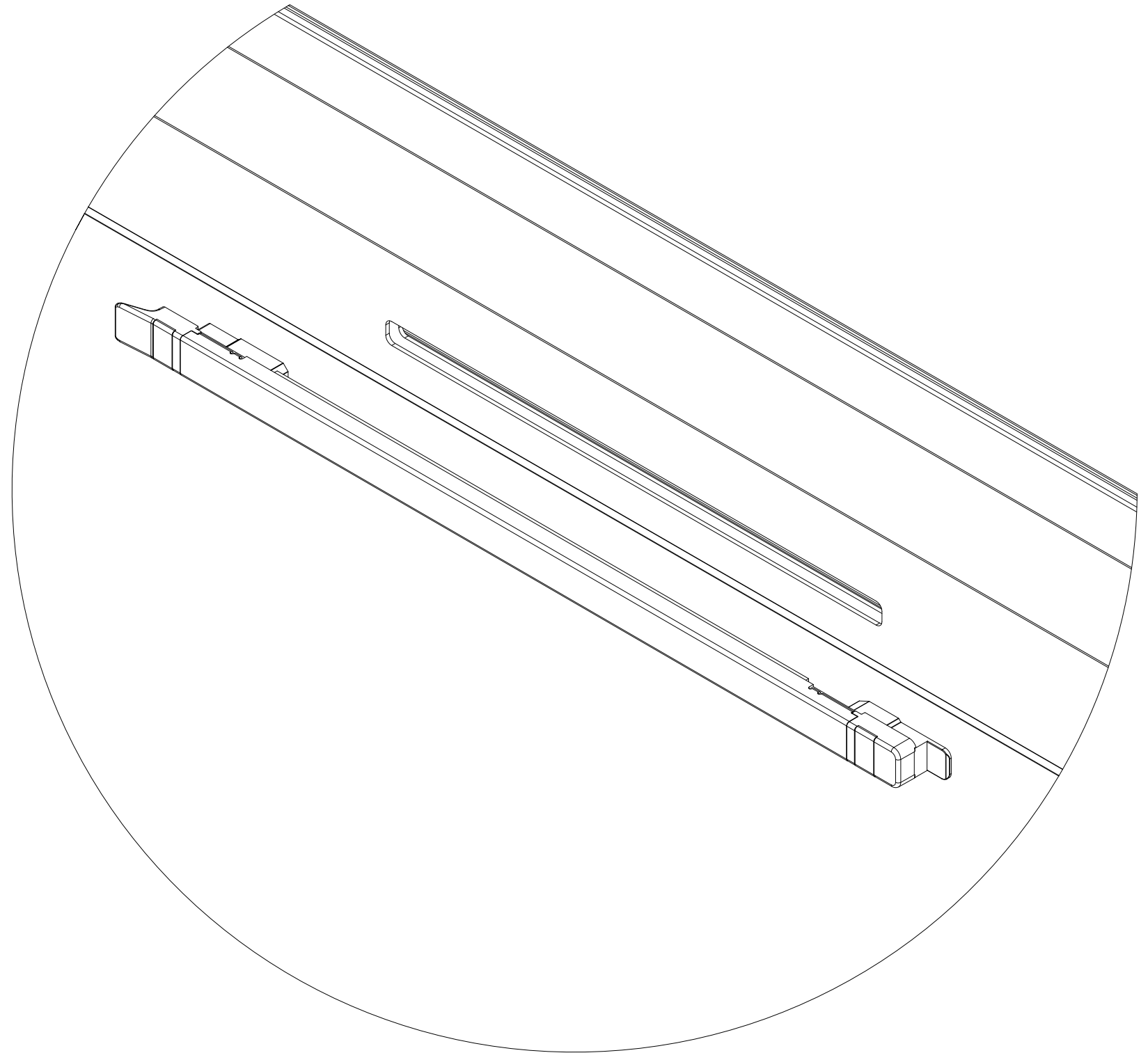


INTERIOR ISO VIEW
SCALE 1 / 8

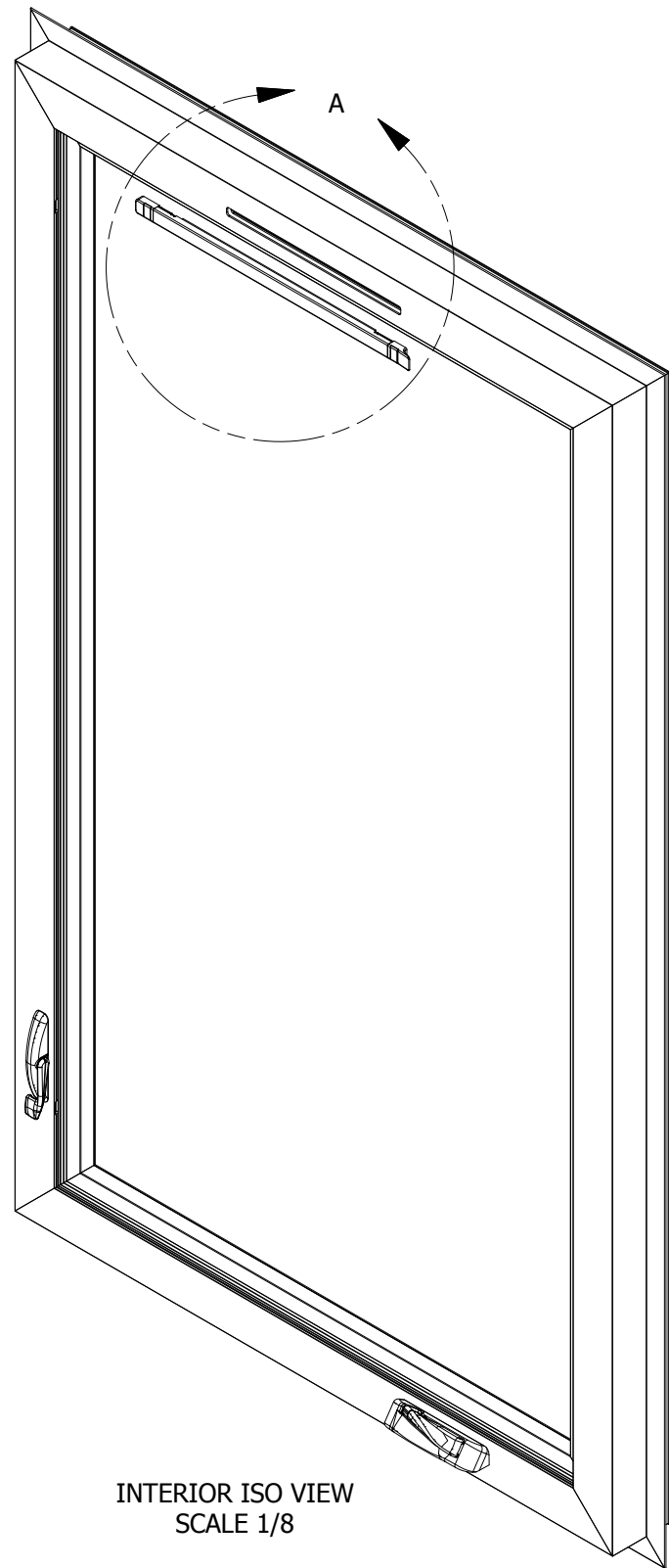


DETAIL A
SCALE 1 / 2

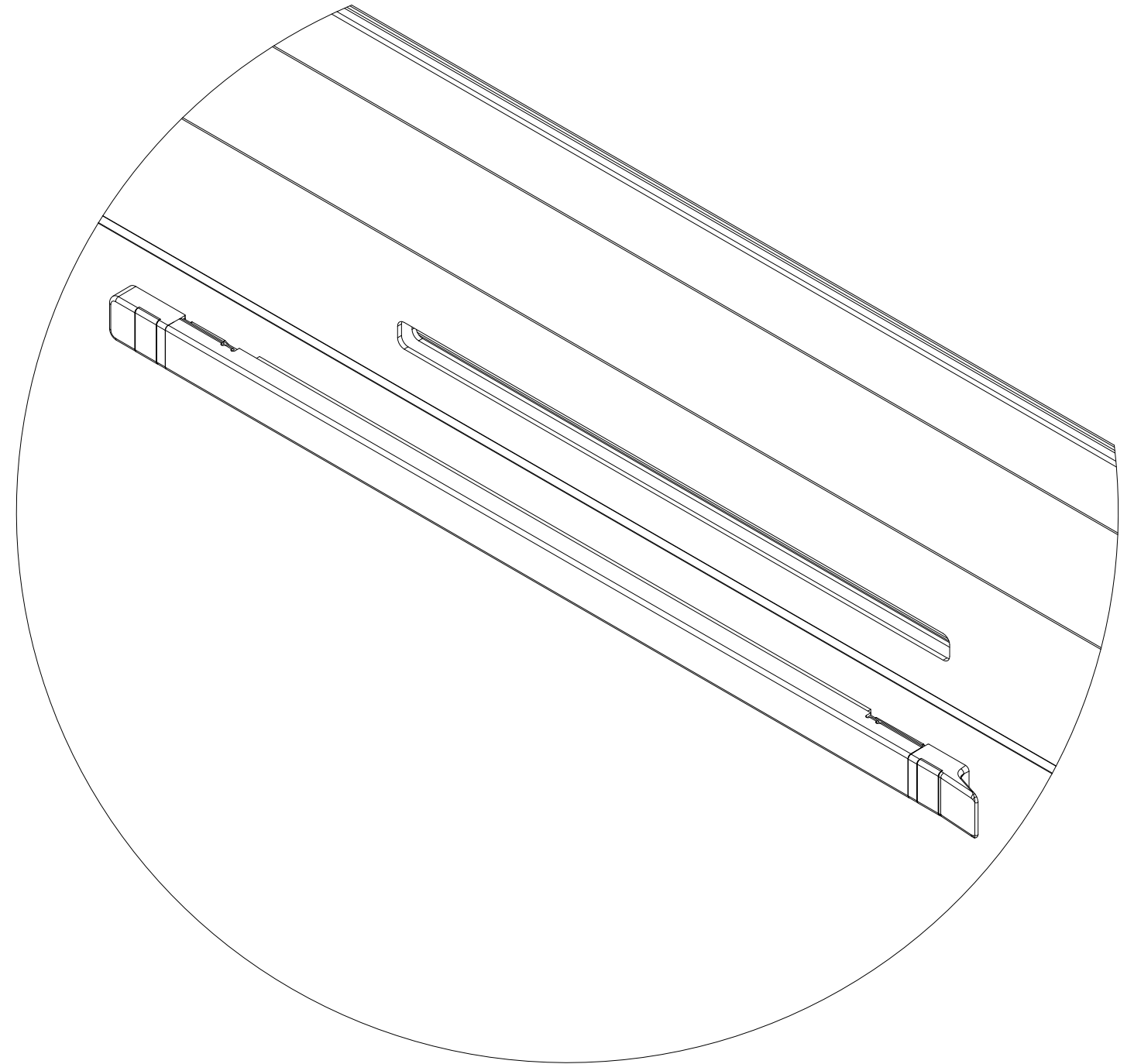
TOLERANCE DECIMAL X.X ± 0.100 X.XX ± 0.025 X.XXX ± 0.005 FRACTIONAL X/X ± 1/32 ANGULAR X ± 1.0° X.X ± 0.2°	DRAWN	bpoutre		8/10/2017		
	CHECKED					
	APPROVED					
	SIZE	B	SCALE	1 / 8	SHEET	1 of 4
PRODUCT FAMILY		510 - 511 ENDURANCE				
PROJECT						
				SHEET	CA-HL W/FAV OPEN	REV



3420 E Ferry Ave. Spokane, WA 99202 • www.vpiwindows.com
 THIS DOCUMENT IS PROPRIETARY AND CONFIDENTIAL. NO PART OF THIS DOCUMENT MAY BE DISCLOSED IN ANY MANNER TO A THIRD PARTY WITHOUT THE PRIOR WRITTEN CONSENT BY VPI QUALITY WINDOWS.



INTERIOR ISO VIEW
SCALE 1/8



TOLERANCE DECIMAL X.X ± 0.100 X.XX ± 0.025 X.XXX ± 0.005 FRACTIONAL X/X ± 1/32 ANGULAR X ± 1.0° X.X ± 0.2°	DRAWN bputre		8/10/2017
	CHECKED		
	APPROVED		
	SIZE B	SCALE 1/8	SHEET 2 of 4
PRODUCT FAMILY 510- 511 ENDURANCE			
PROJECT			

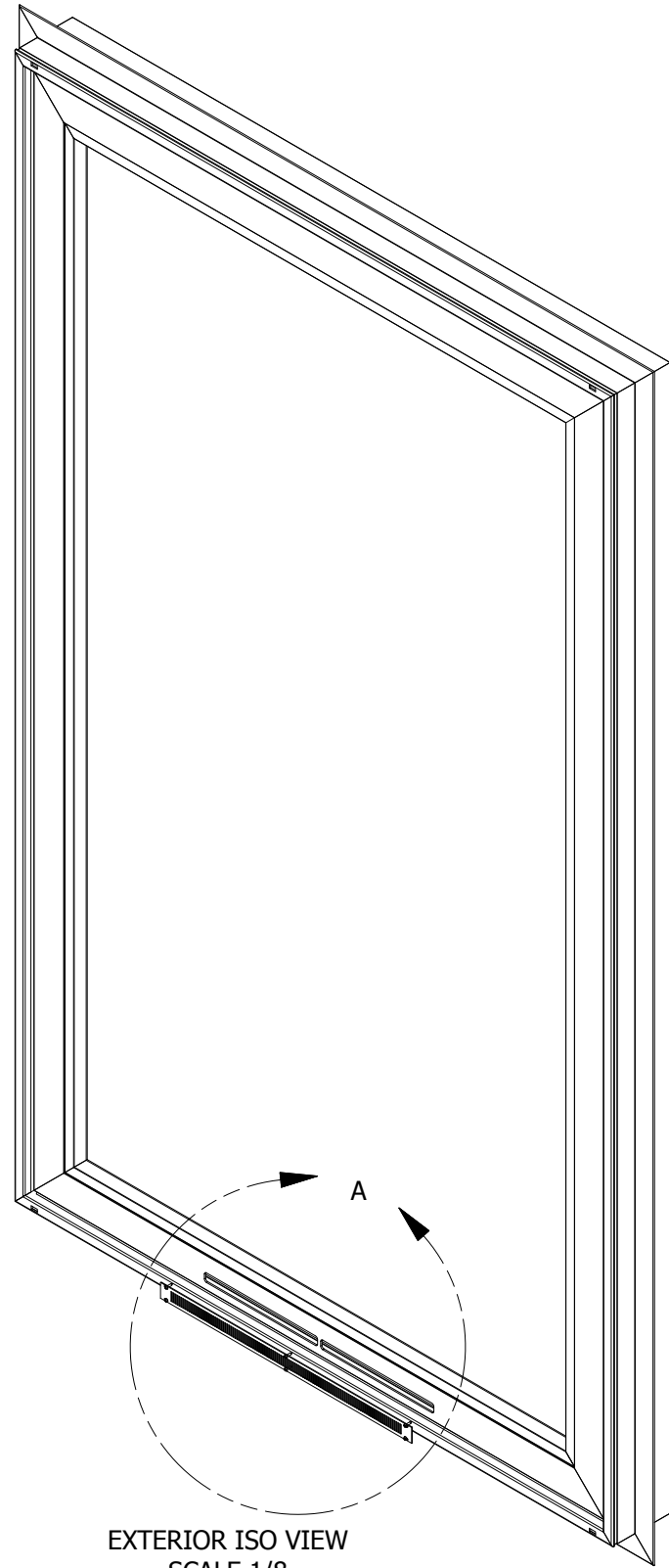


3420 E Ferry Ave. Spokane, WA 99202 • www.vpiwindows.com
THIS DOCUMENT IS PROPRIETARY AND CONFIDENTIAL. NO PART OF THIS DOCUMENT MAY BE DISCLOSED IN ANY MANNER TO A THIRD PARTY WITHOUT THE PRIOR WRITTEN CONSENT BY VPI QUALITY WINDOWS.

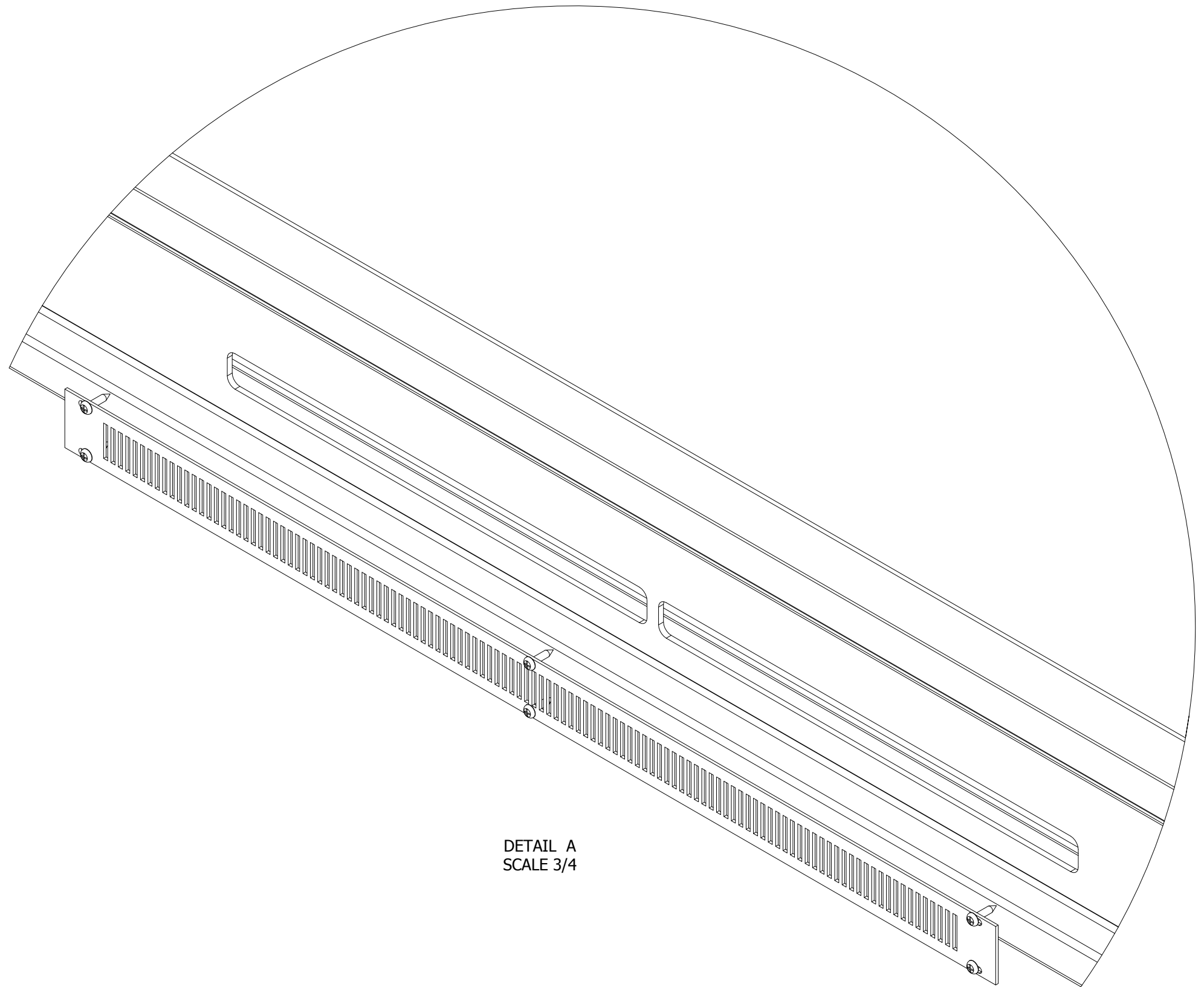
DETAIL A
SCALE 1 / 2

SHEET
CA-HL W/FAV CLOSED


REV

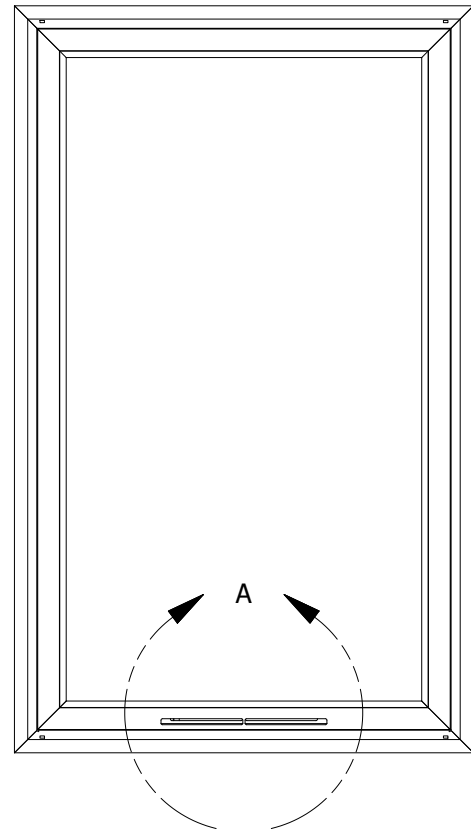


EXTERIOR ISO VIEW
SCALE 1/8

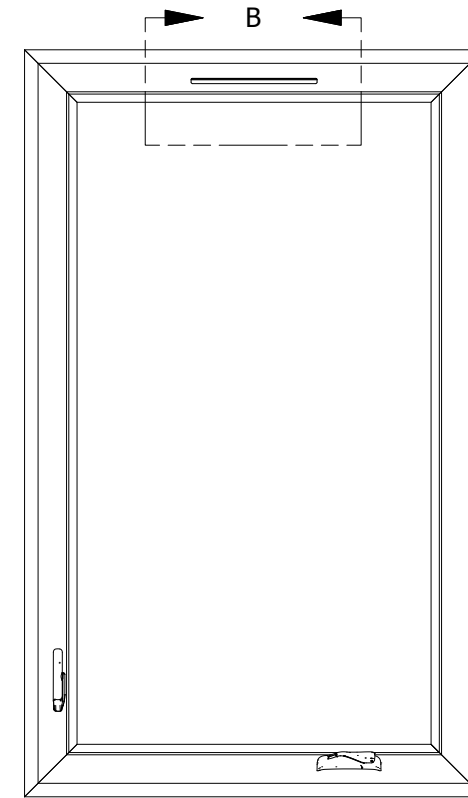


DETAIL A
SCALE 3/4

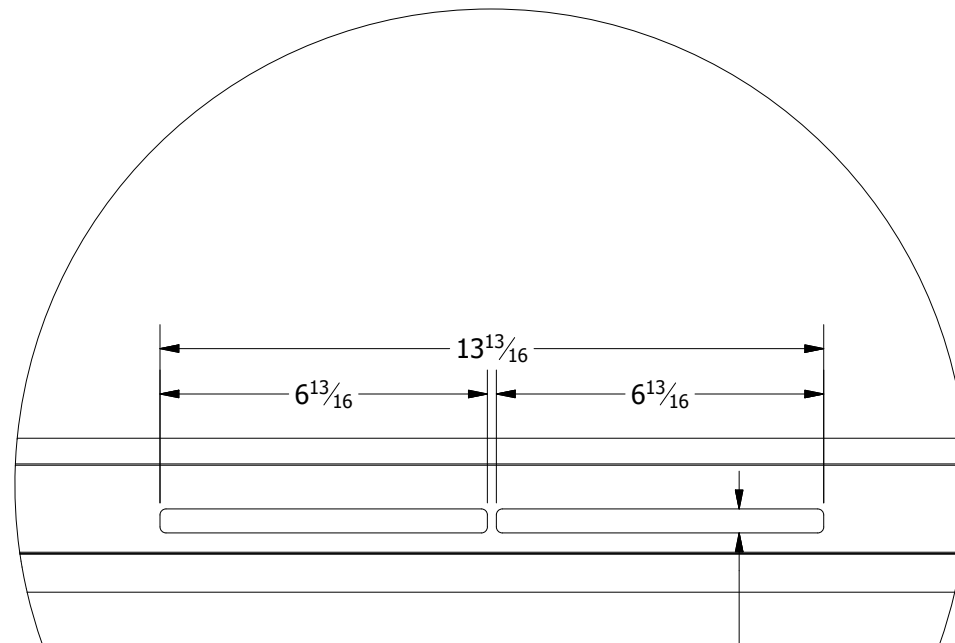
TOLERANCE DECIMAL X.X ± 0.100 X.XX ± 0.025 X.XXX ± 0.005 FRACTIONAL X/X ± 1/32 ANGULAR X ± 1.0° X.X ± 0.2°	DRAWN	8/10/2017			
	CHECKED				
	APPROVED				
	SIZE	B	SCALE	1/8	SHEET
PRODUCT FAMILY	510 - 511 ENDURANCE				
PROJECT					
					
3420 E Ferry Ave. Spokane, WA 99202 • www.vpiwindows.com <small>THIS DOCUMENT IS PROPRIETARY AND CONFIDENTIAL. NO PART OF THIS DOCUMENT MAY BE DISCLOSED IN ANY MANNER TO A THIRD PARTY WITHOUT THE PRIOR WRITTEN CONSENT BY VPI QUALITY WINDOWS.</small>					
SHEET					REV
CA-HL W/ EXTERIOR FAV GRILL					



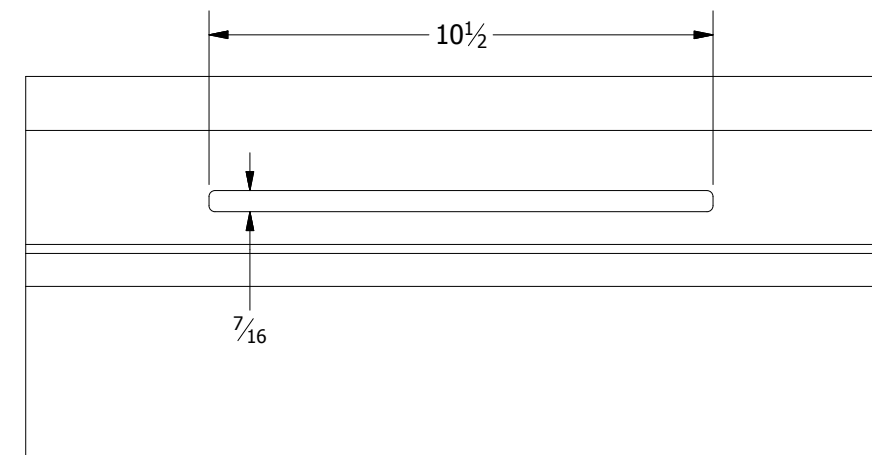
EXTERIOR VIEW
SCALE 1/16



INTERIOR VIEW
SCALE 1/16



DETAIL A
SCALE 1 / 4



DETAIL B
SCALE 1 / 4

TOLERANCE	DRAWN	bpoutre		8/10/2017		
	DECIMAL	CHECKED				
	X.X ± 0.100	APPROVED				
	X.XX ± 0.025	SIZE	B	SCALE	1/16	SHEET
X.XXX ± 0.005	PRODUCT FAMILY					
FRACTIONAL	510 - 511 ENDURANCE					
X/X ± 1/32	PROJECT					
ANGULAR	SHEET					
X ± 1.0'	511 CASEMENT FRESH AIR VENT FABRICATIONS					
X.X ± 0.2'	REV					



3420 E Ferry Ave. Spokane, WA 99202 • www.vpiwindows.com
THIS DOCUMENT IS PROPRIETARY AND CONFIDENTIAL. NO PART OF THIS DOCUMENT MAY BE DISCLOSED IN ANY MANNER TO A THIRD PARTY WITHOUT THE PRIOR WRITTEN CONSENT BY VPI QUALITY WINDOWS.