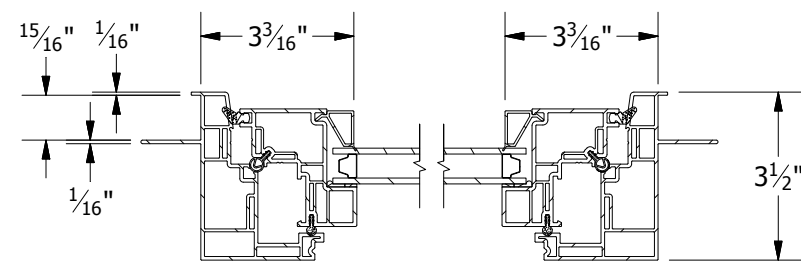
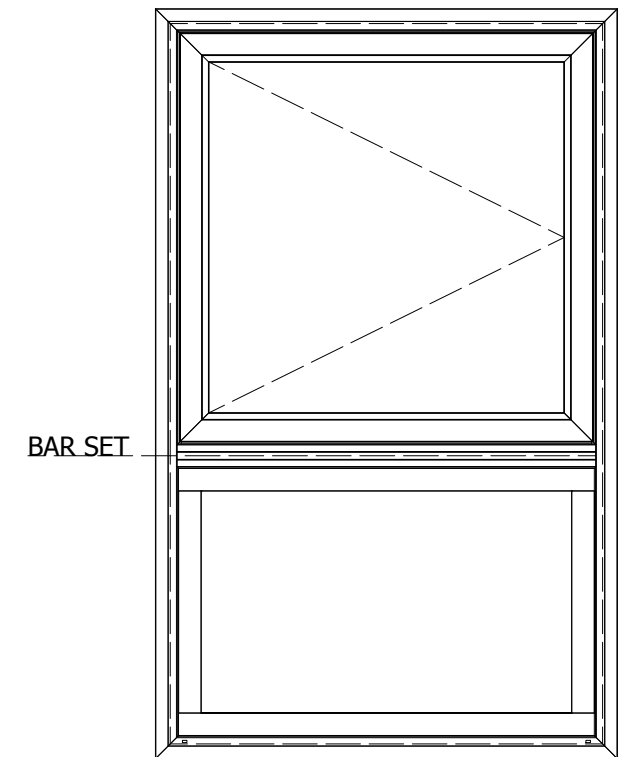
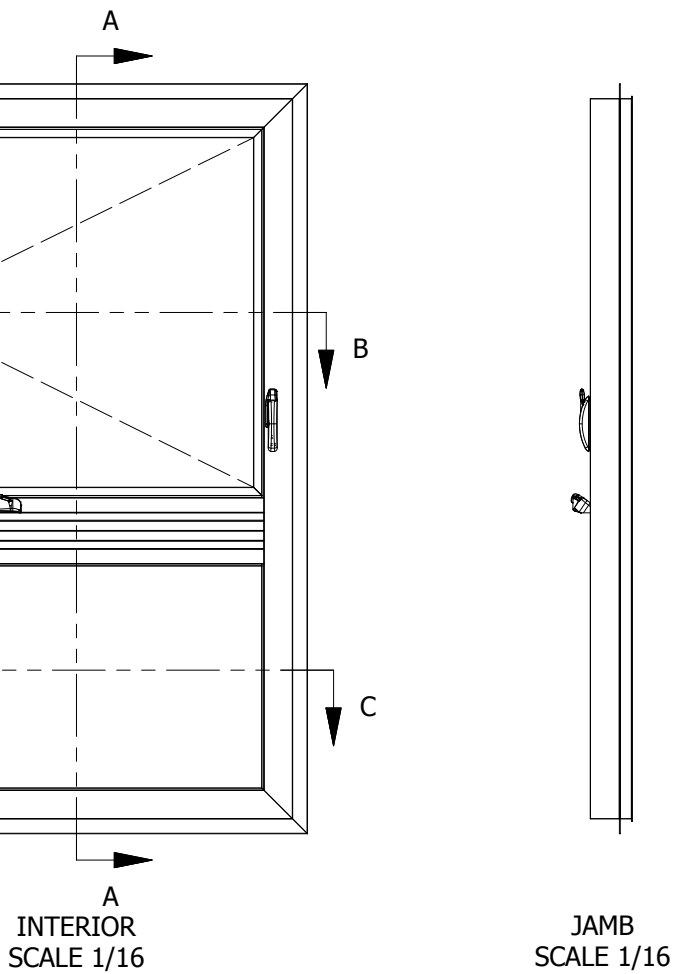


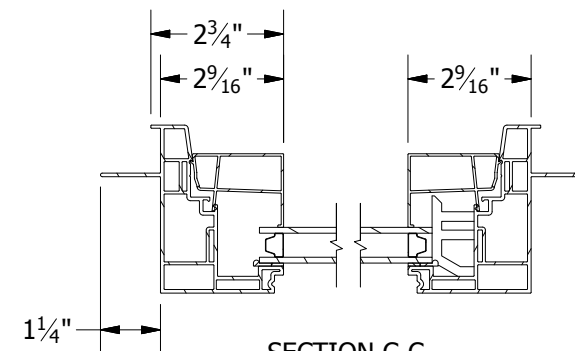
SECTION A-A  
SCALE 1 / 4



SECTION B-B  
SCALE 1 / 4



EXTERIOR  
SCALE 1/16



SECTION C-C  
SCALE 1 / 4

<b>TOLERANCE</b>	DRAWN	bputre		2/1/2018			
	DECIMAL	CHECKED					
	X.X ± 0.100	APPROVED					
	X.XX ± 0.025	SIZE	B	SCALE	1/16	SHEET	1 of 1
	X.XXX ± 0.005	PRODUCT FAMILY		510-511 ENDURANCE			
FRACTIONAL	PROJECT						
X/X ± 1/32							
ANGULAR							
X ± 1.0°							
X.X ± 0.2°							



3420 E Ferry Ave. Spokane, WA 99202 • www.vpiwindows.com  
 THIS DOCUMENT IS PROPRIETARY AND CONFIDENTIAL. NO PART OF THIS DOCUMENT MAY BE DISCLOSED IN ANY MANNER TO A THIRD PARTY WITHOUT THE PRIOR WRITTEN CONSENT BY VPI QUALITY WINDOWS.

SHEET	CA-A STUCCO KEY 1BS LAYOUT	REV
-------	----------------------------	-----