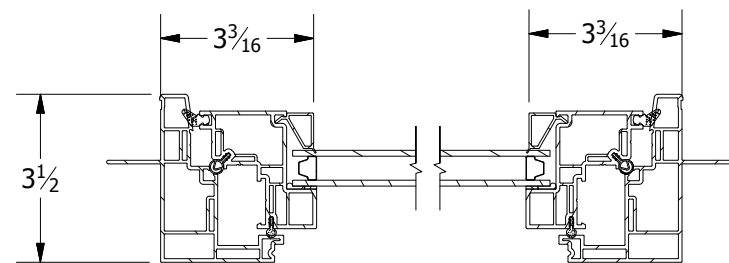
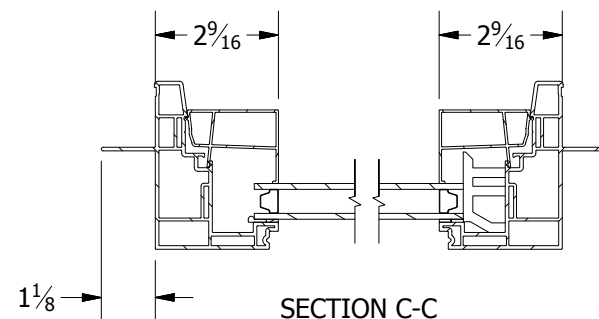


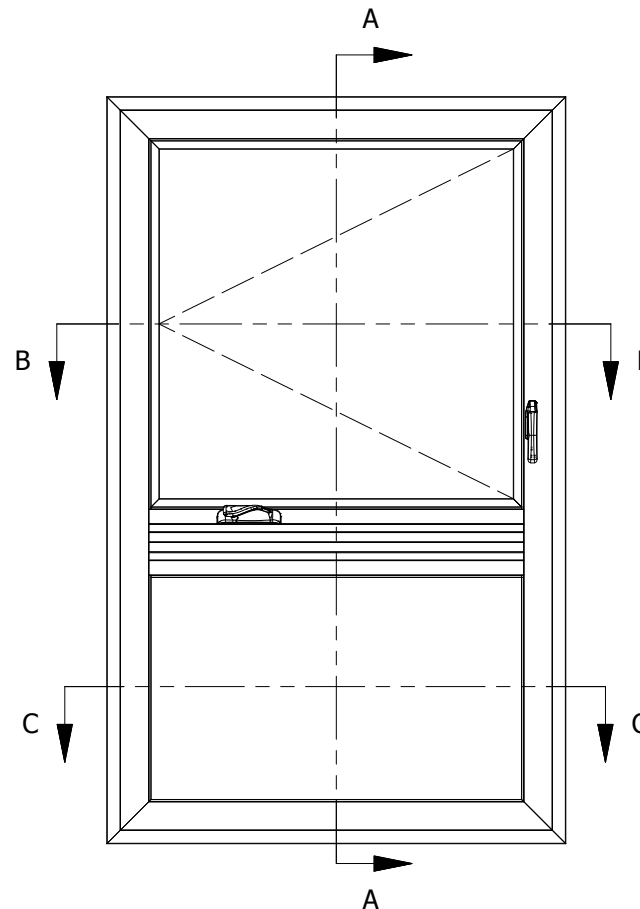
SECTION A-A
SCALE 1 / 4



SECTION B-B
SCALE 1 / 4



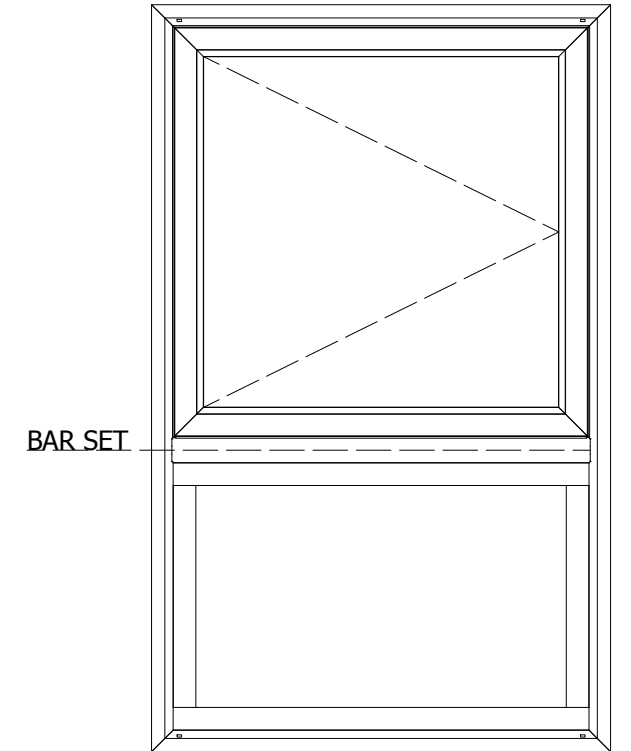
SECTION C-C
SCALE 1 / 4



INTERIOR
SCALE 1/16



JAMB VIEW
SCALE 1/16



EXTERIOR
SCALE 1/16

TOLERANCE	DRAWN		7/15/2017
	bputre		
	CHECKED		
	APPROVED		
DECIMAL	X.X ± 0.100	SIZE	B
	X.XX ± 0.025	SCALE	1/16
	X.XXX ± 0.005	SHEET	1 of 1
FRACTIONAL	X/X ± 1/32	PRODUCT FAMILY	510-511 ENDURANCE
ANGULAR	X ± 1.0°	PROJECT	
	X.X ± 0.2°		

vpi Quality Windows

3420 E Ferry Ave. Spokane, WA 99202 • www.vpiwindows.com

THIS DOCUMENT IS PROPRIETARY AND CONFIDENTIAL. NO PART OF THIS DOCUMENT MAY BE DISCLOSED IN ANY MANNER TO A THIRD PARTY WITHOUT THE PRIOR WRITTEN CONSENT BY VPI QUALITY WINDOWS.

SHEET	REV
CA-A NAILFIN_1-375BS LAYOUT	