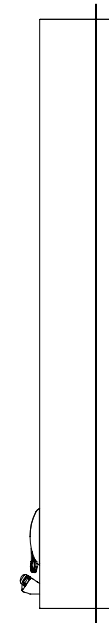
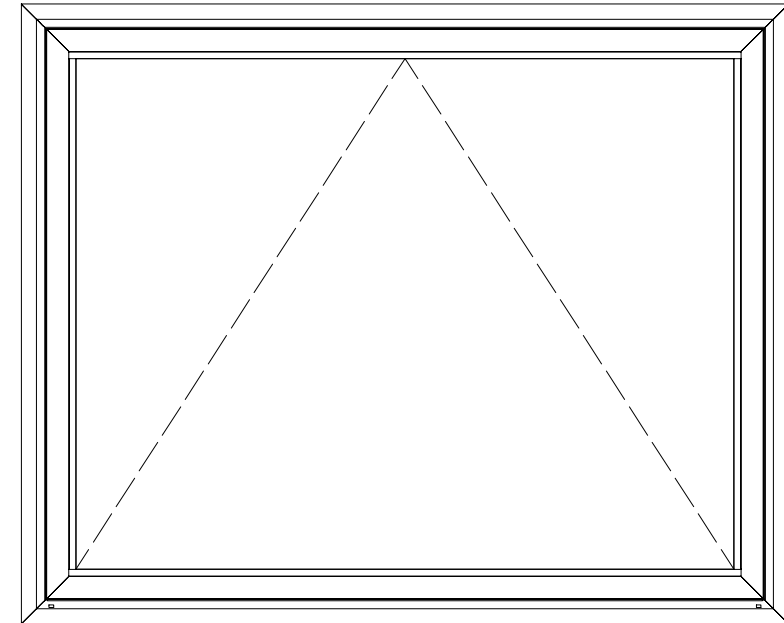


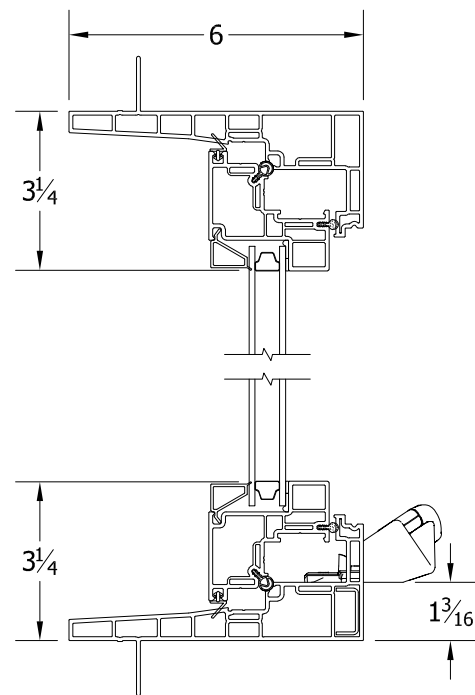
INTERIOR
SCALE 1/16



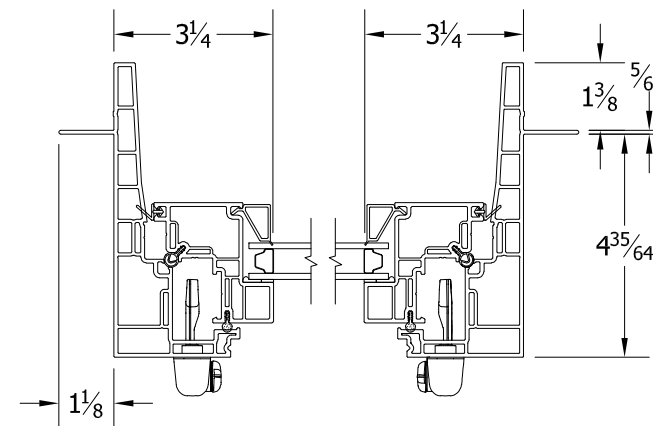
JAMB
SCALE 1/16



EXTERIOR
SCALE 1/16



SECTION A-A
SCALE 1 / 4



SECTION B-B
SCALE 1 / 4

| | | | | |
|--|----------------|---------------|------------|--------------|
| TOLERANCE DECIMAL X.X ± 0.100 X.XX ± 0.025 X.XXX ± 0.005 FRACTIONAL X/X ± 1/32 ANGULAR X ± 1.0° X.X ± 0.2° | DRAWN | 0poutre | 12/06/2022 | |
| | CHECKED | | | |
| | APPROVED | | | |
| | SIZE | B | SCALE 1/16 | SHEET 1 of 1 |
| | PRODUCT FAMILY | 511 ENDURANCE | | |
| PROJECT | | | | |



3420 E Ferry Ave. Spokane, WA 99202 • www.vpiwindows.com
THIS DOCUMENT IS PROPRIETARY AND CONFIDENTIAL. NO PART OF THIS DOCUMENT MAY BE DISCLOSED IN ANY MANNER TO A THIRD PARTY WITHOUT THE PRIOR WRITTEN CONSENT BY VPI QUALITY WINDOWS.

SHEET
AWNING LAYOUT

REV