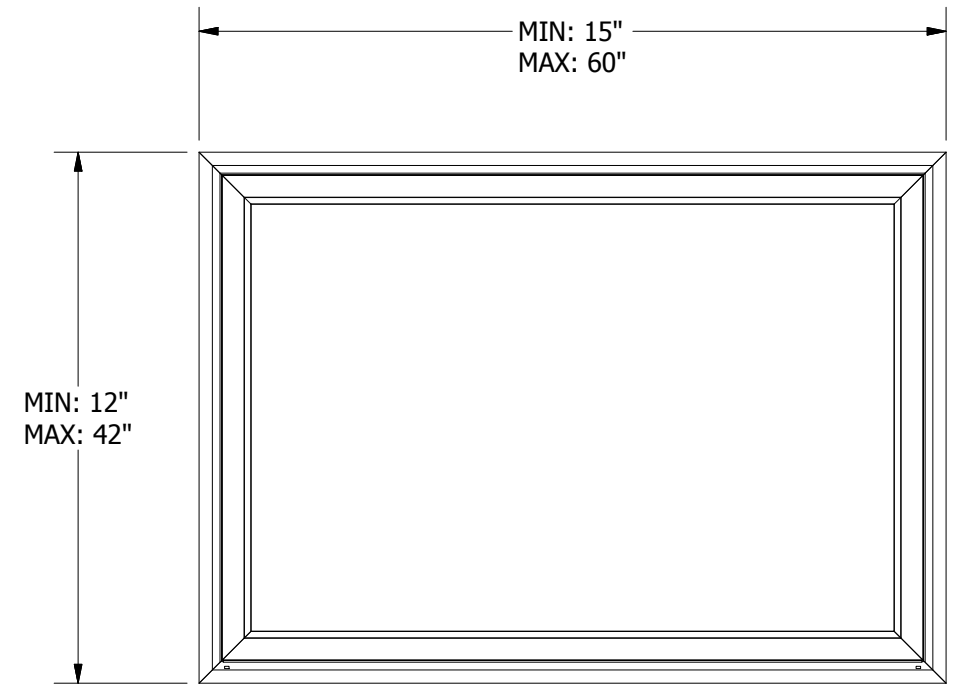


INTERIOR
SCALE 1/16



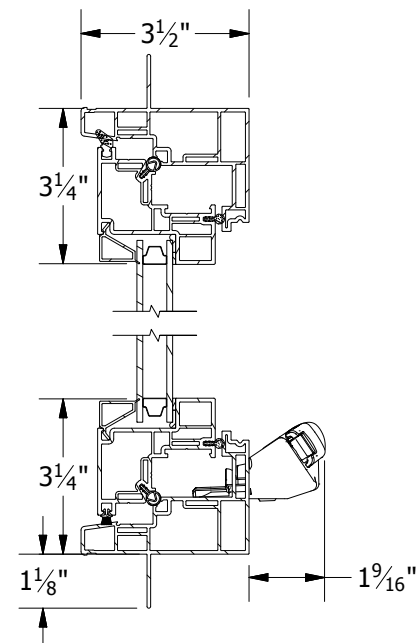
JAMB
SCALE 1/16



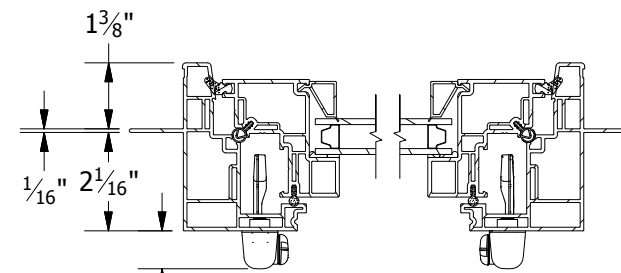
MIN: 15"
MAX: 60"

MIN: 12"
MAX: 42"

EXTERIOR
SCALE 1/16



SECTION A-A
SCALE 1 / 4



SECTION B-B
SCALE 1 / 4

TOLERANCE DECIMAL X.X ± 0.100 X.XX ± 0.025 X.XXX ± 0.005 FRACTIONAL X/X ± 1/32 ANGULAR X ± 1.0° X.X ± 0.2°	DRAWN bpoutre	10/28/2017	
	CHECKED		
	APPROVED		
	SIZE B	SCALE 1/16	
PRODUCT FAMILY 510 - 511 ENDURANCE			3420 E Ferry Ave. Spokane, WA 99202 • www.vpiwindows.com <small>THIS DOCUMENT IS PROPRIETARY AND CONFIDENTIAL. NO PART OF THIS DOCUMENT MAY BE DISCLOSED IN ANY MANNER TO A THIRD PARTY WITHOUT THE PRIOR WRITTEN CONSENT BY VPI QUALITY WINDOWS.</small>
PROJECT	SHEET AWN LAYOUT	REV	