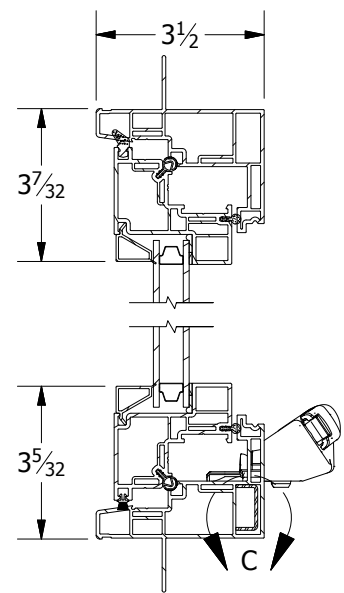
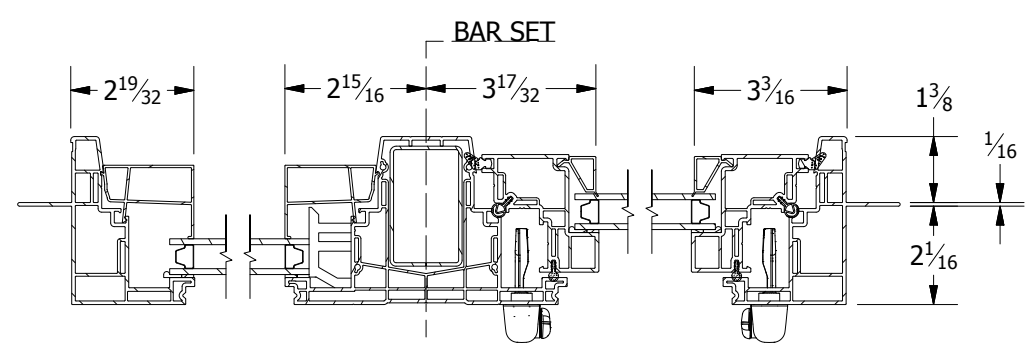


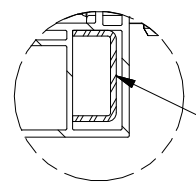
JAMB VIEW
SCALE 1/16



SECTION A-A
SCALE 1 / 4



SECTION B-B
SCALE 1 / 4



DETAIL C
SCALE 1 / 2

SILL REINFORCEMENT INSTALLED IN FRAMES:
LARGER THAN 40 SQ.FT. OR
SILLS 95" AND LARGER OR ON
CUSTOMER REQUEST

TOLERANCE DECIMAL X.X ± 0.100 X.XX ± 0.025 X.XXX ± 0.005 FRACTIONAL X/X ± 1/32 ANGULAR X ± 1.0° X.X ± 0.2°	DRAWN	12/8/2017			
	bpoutre				
	CHECKED				
	APPROVED				
	SIZE	B	SCALE	1/16	SHEET
PRODUCT FAMILY	510-511 ENDURANCE				
PROJECT					



3420 E Ferry Ave. Spokane, WA 99202 • www.vpiwindows.com
THIS DOCUMENT IS PROPRIETARY AND CONFIDENTIAL. NO PART OF THIS DOCUMENT MAY BE DISCLOSED
IN ANY MANNER TO A THIRD PARTY WITHOUT THE PRIOR WRITTEN CONSENT BY VPI QUALITY WINDOWS.

SHEET	AWN-FIXED W/STEEL LAYOUT	REV
-------	--------------------------	-----