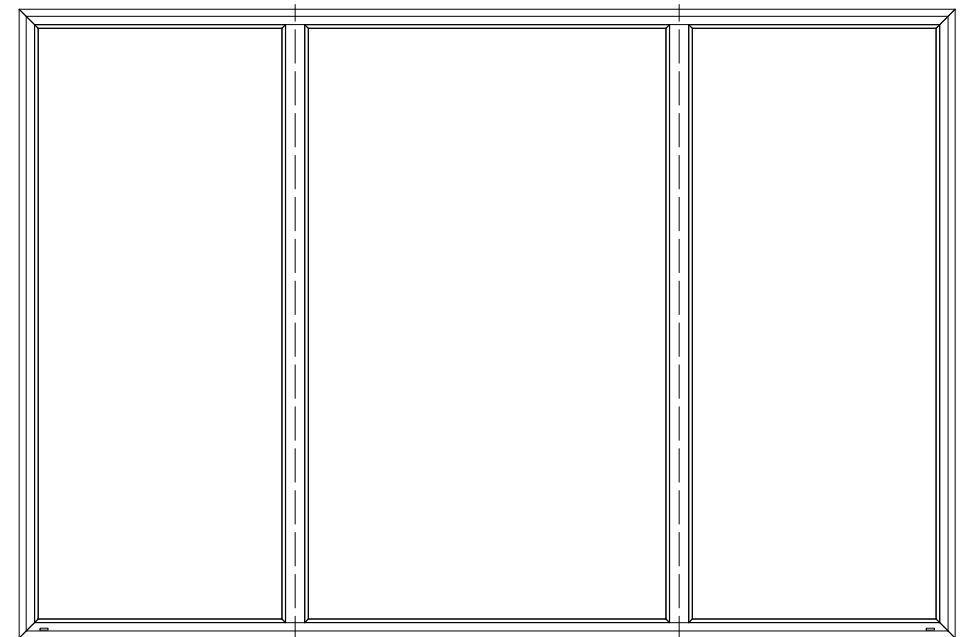


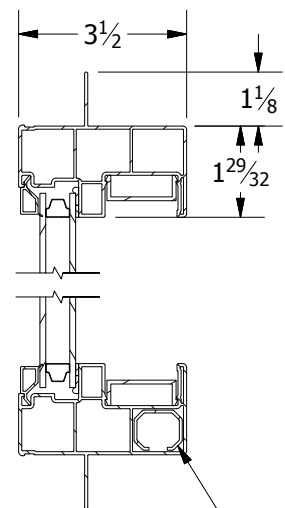
INTERIOR
SCALE 1 / 30



JAMB
SCALE 1 / 30

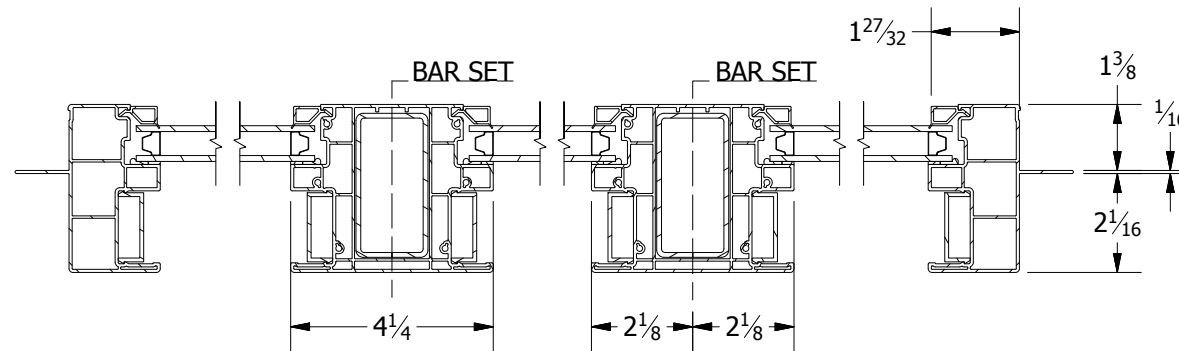


EXTERIOR
SCALE 1 / 30



SECTION A-A
SCALE 1 / 4

SILL REINFORCEMENT
ONLY IN
FRAMES LARGER THAN 36"



SECTION B-B
SCALE 1 / 4

TOLERANCE DECIMAL X.X ± 0.100 X.XX ± 0.025 X.XXX ± 0.005 FRACTIONAL X/X ± 1/32 ANGULAR X ± 1.0° X.X ± 0.2°	DRAWN bpoutre	10/6/2017	
	CHECKED		
	APPROVED		
	SIZE B	SCALE 1 / 30	
PRODUCT FAMILY 530 - 591 ENDURANCE			3420 E Ferry Ave. Spokane, WA 99202 • www.vpiwindows.com
PROJECT			THIS DOCUMENT IS PROPRIETARY AND CONFIDENTIAL. NO PART OF THIS DOCUMENT MAY BE DISCLOSED IN ANY MANNER TO A THIRD PARTY WITHOUT THE PRIOR WRITTEN CONSENT BY VPI QUALITY WINDOWS.
			SHEET 3H-PW LAYOUT
			REV