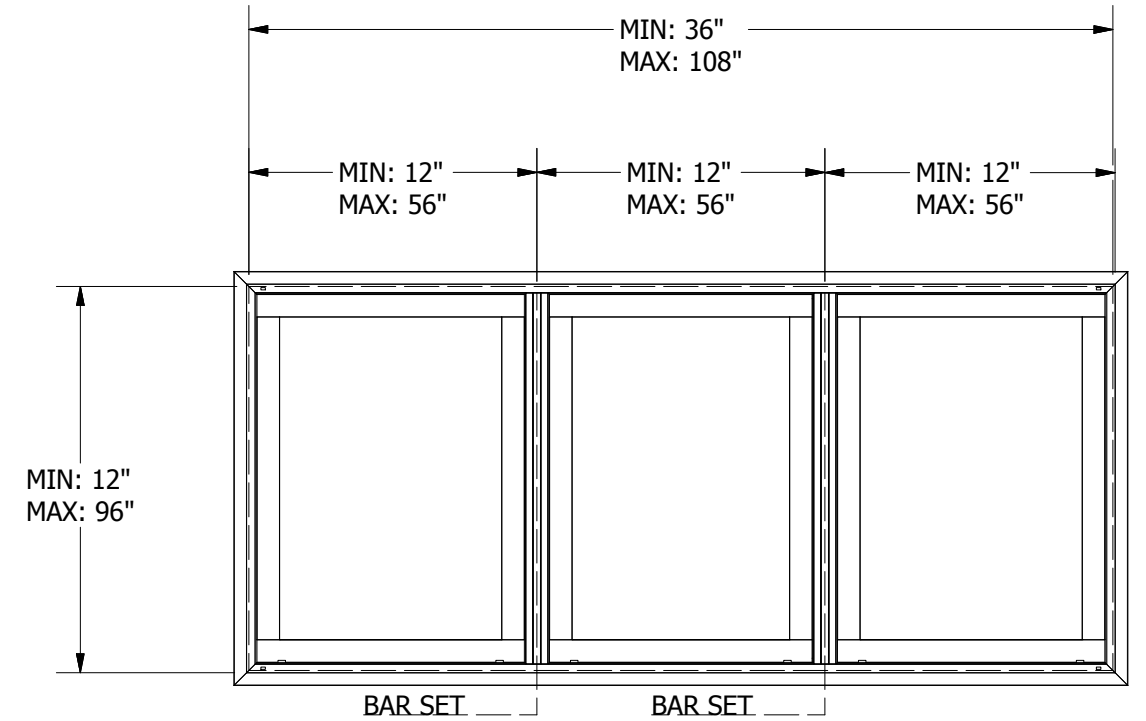


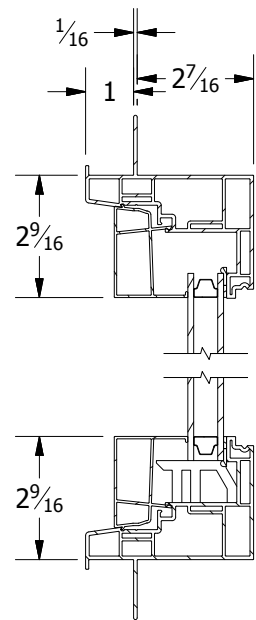
INTERIOR
SCALE 1/16



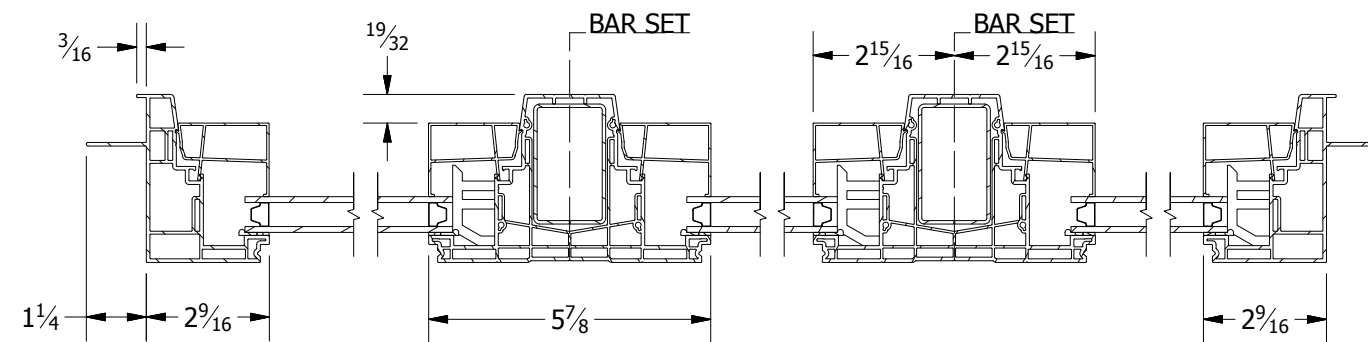
JAMB
SCALE 1/16



EXTERIOR
SCALE 1/16



SECTION A-A
SCALE 1 / 4



SECTION B-B
SCALE 1 / 4

TOLERANCE	DECIMAL	DRAWN	
	X.X ± 0.100	bpoutre	3/14/2018
	X.XX ± 0.025	CHECKED	
	X.XXX ± 0.005	APPROVED	
FRACTIONAL		SIZE	SHEET
X/X ± 1/32		B	1/16
ANGULAR		SCALE	1/16
X ± 1.0'		PRODUCT FAMILY	510 - 511 ENDURANCE
X.X ± 0.2'		PROJECT	



3420 E Ferry Ave. Spokane, WA 99202 • www.vpiwindows.com
THIS DOCUMENT IS PROPRIETARY AND CONFIDENTIAL. NO PART OF THIS DOCUMENT MAY BE DISCLOSED IN ANY MANNER TO A THIRD PARTY WITHOUT THE PRIOR WRITTEN CONSENT BY VPI QUALITY WINDOWS.

SHEET	REV
3H-PW W/STUCCO KEY	