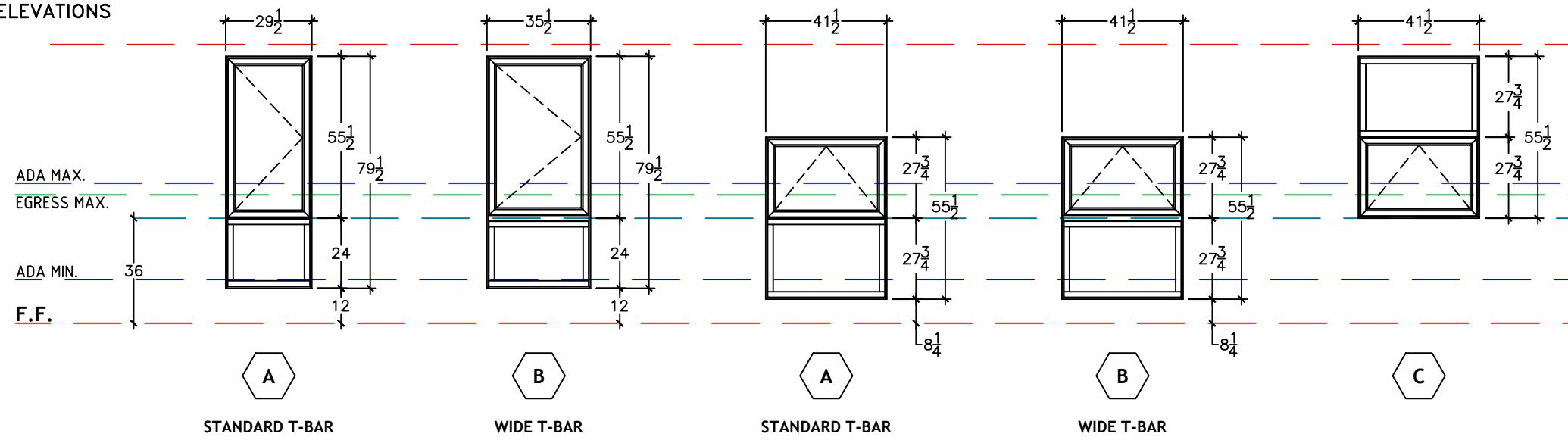


EXTERIOR ELEVATIONS



INTERIOR ELEVATIONS

