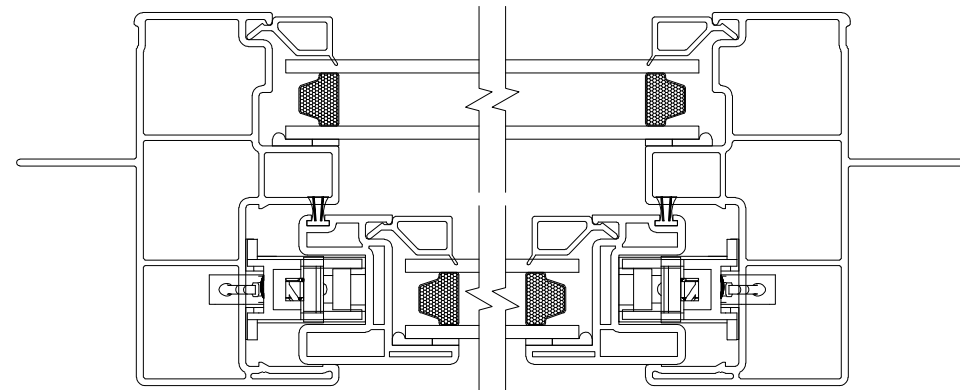
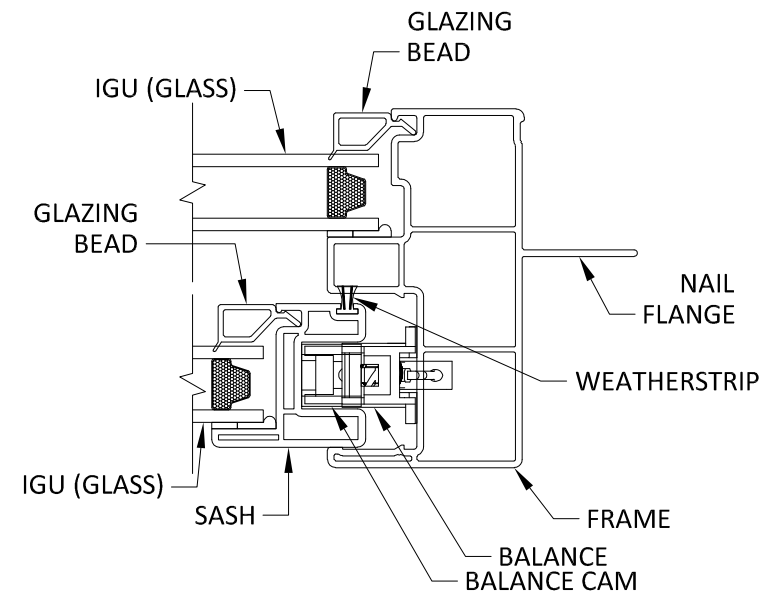


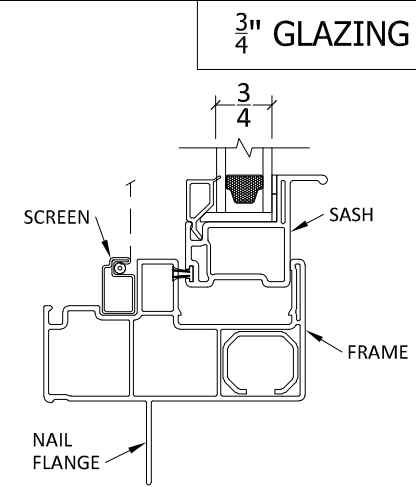
HORIZONTAL CUT SECTION



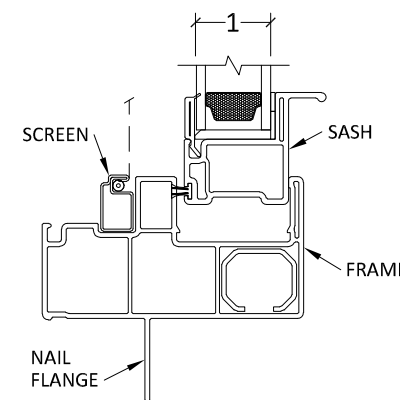
HORIZONTAL CUT SECTION



IGU (GLASS) OPTIONS



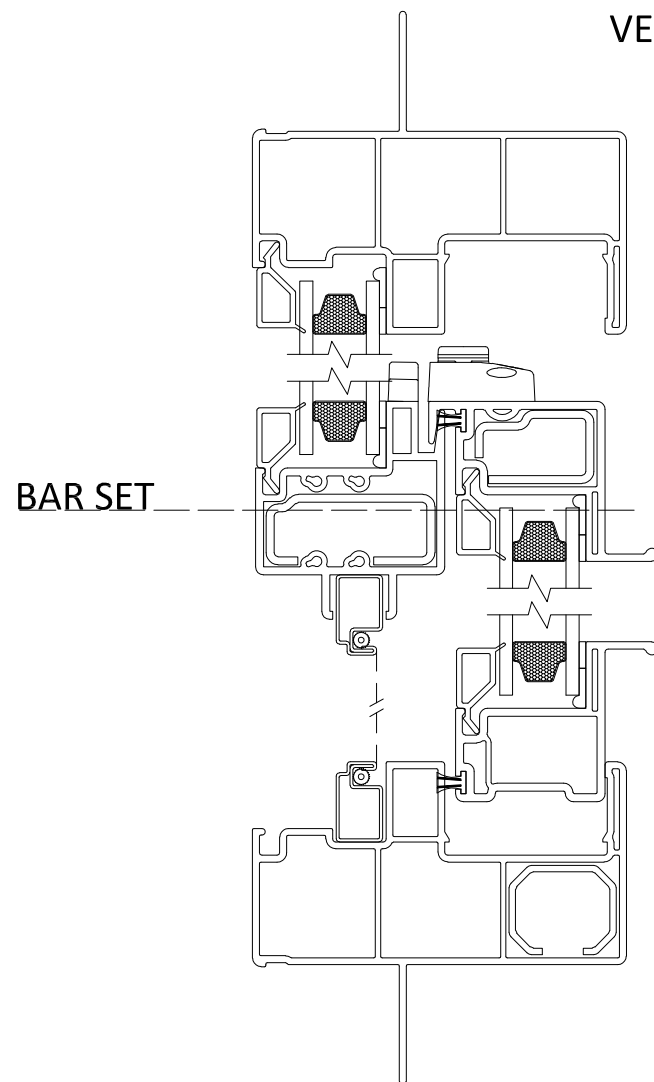
1" GLAZING



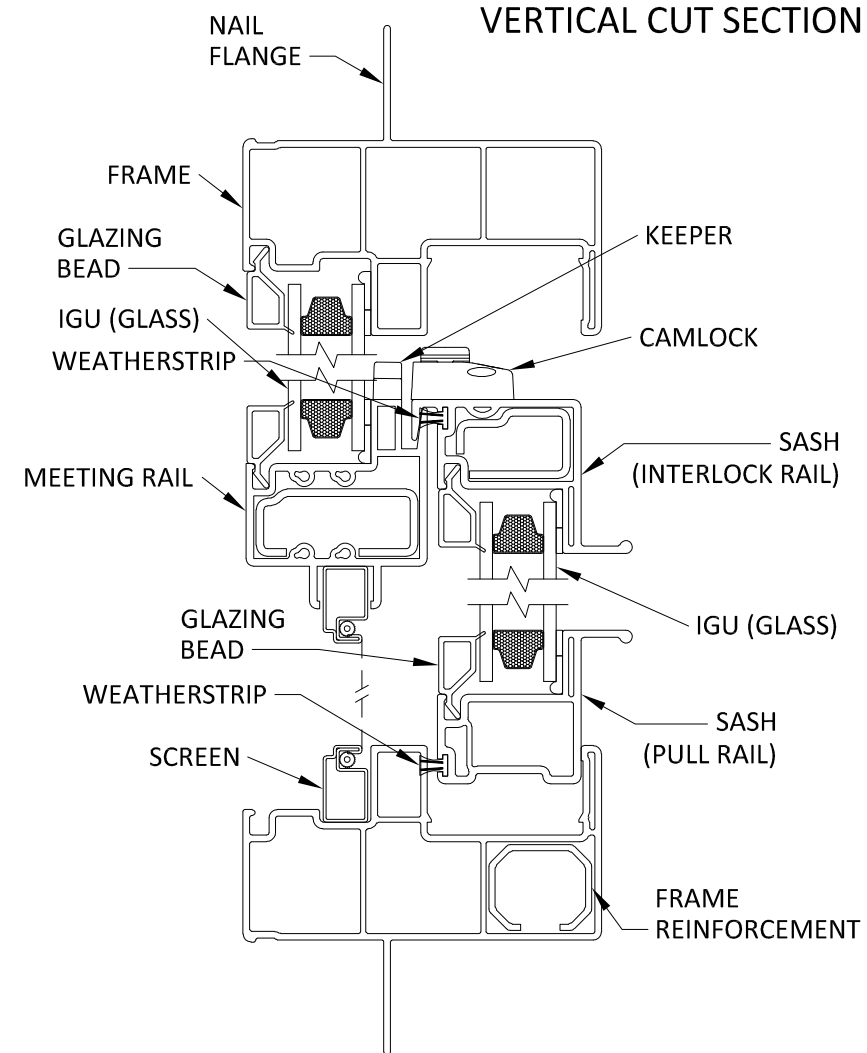
HARDWARE LIST

	FRESH AIR VENT (FAV) GRILL
	FRESH AIR VENT (FAV) OPERATOR
	CAMLOCK (STANDARD)
	CAMLOCK KEEPER
	SINGLE ACTION LOCK
	SINGLE ACTION LOCK KEEPER
	BALANCE CAM
	BALANCE
	SASH LIMITER (STANDARD)
	WOCD LIMITER

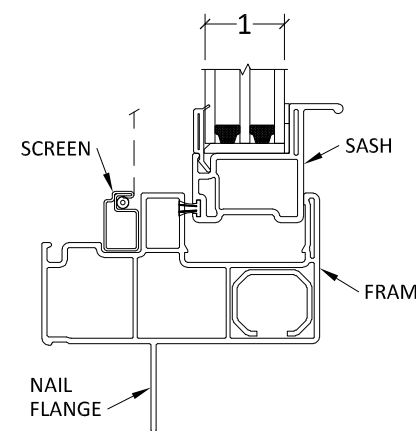
VERTICAL CUT SECTION



VERTICAL CUT SECTION



1" TRIPLE GLAZING



<b>TOLERANCE</b> DECIMAL X.X ± 0.100 X.XX ± 0.025 X.XXX ± 0.005 FRACTIONAL X/X ± 1/32 ANGULAR X ± 1.0° X.X ± 0.2°	DRAWN	3/12/2019		
	CHECKED			
	APPROVED			
	SIZE	B	SCALE	NTS
	SHEET	1 of 1		
PRODUCT FAMILY	591 ENDURANCE			
PROJECT				



3420 E Ferry Ave. Spokane, WA 99202 • www.vpiwindows.com  
 THIS DOCUMENT IS PROPRIETARY AND CONFIDENTIAL. NO PART OF THIS DOCUMENT MAY BE DISCLOSED IN ANY MANNER TO A THIRD PARTY WITHOUT THE PRIOR WRITTEN CONSENT BY VPI QUALITY WINDOWS.

SHEET	REV
SINGLE HUNG HARDWARE & GLASS DETAIL	