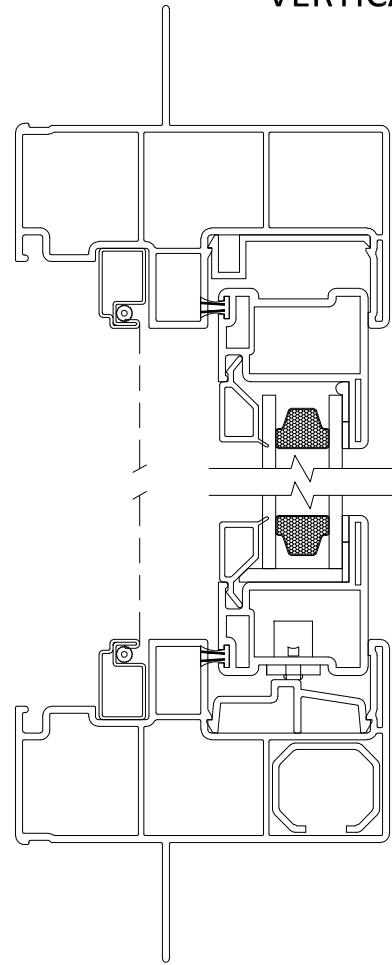
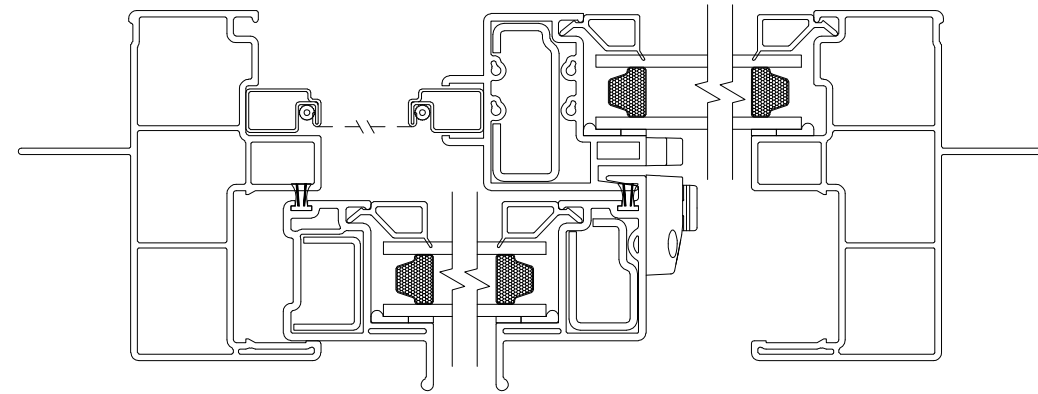


VERTICAL CUT SECTION

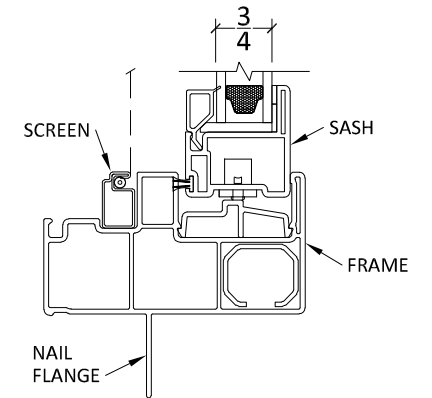


HORIZONTAL CUT SECTION

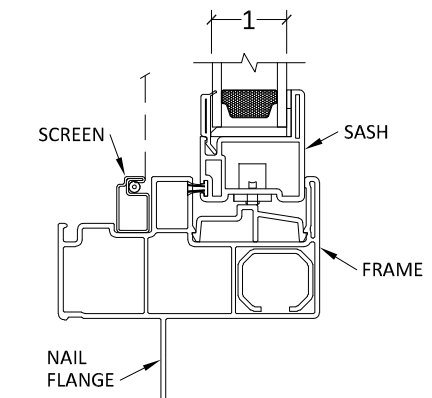


IGU (GLASS) OPTIONS

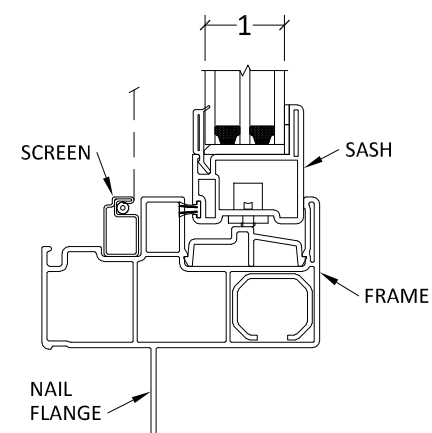
3/4" GLAZING



1" GLAZING



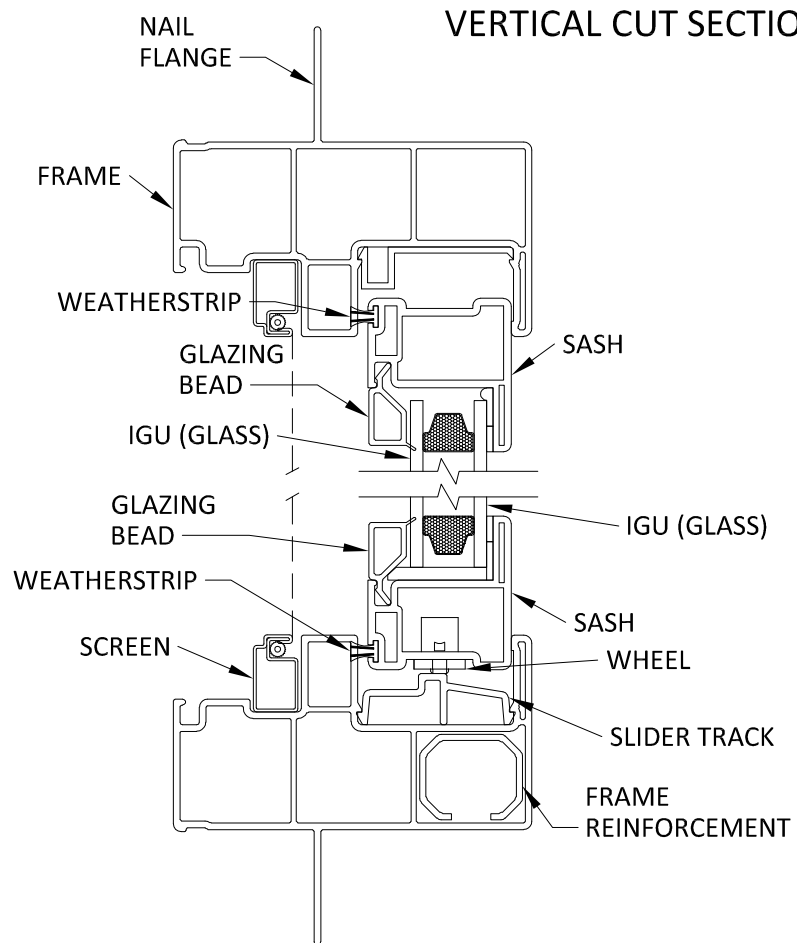
1" TRIPLE GLAZING



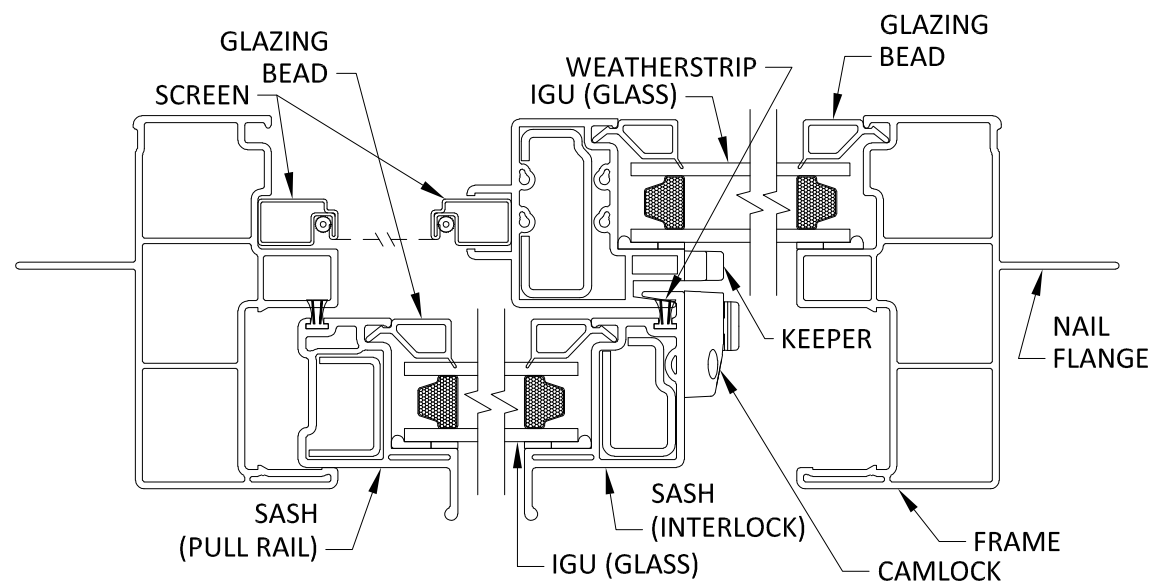
**HARDWARE LIST**

	FRESH AIR VENT (FAV) GRILL
	FRESH AIR VENT (FAV) OPERATOR
	CAMLOCK (STANDARD)
	CAMLOCK KEEPER
	SINGLE ACTION LOCK
	SINGLE ACTION LOCK KEEPER
	SASH LIMITER (STANDARD)
	WOCD LIMITER

VERTICAL CUT SECTION



HORIZONTAL CUT SECTION



<b>TOLERANCE</b> DECIMAL X.X ± 0.100 X.XX ± 0.025 X.XXX ± 0.005 FRACTIONAL X/X ± 1/32 ANGULAR X ± 1.0° X.X ± 0.2'	DRAWN bpoutre	3/13/2019
	CHECKED	
	APPROVED	
	SIZE B	SCALE NTS
PRODUCT FAMILY <b>531 ENDURANCE</b>	PROJECT	



3420 E Ferry Ave. Spokane, WA 99202 • www.vpiwindows.com  
THIS DOCUMENT IS PROPRIETARY AND CONFIDENTIAL. NO PART OF THIS DOCUMENT MAY BE DISCLOSED IN ANY MANNER TO A THIRD PARTY WITHOUT THE PRIOR WRITTEN CONSENT BY VPI QUALITY WINDOWS.