

4" LIMITER

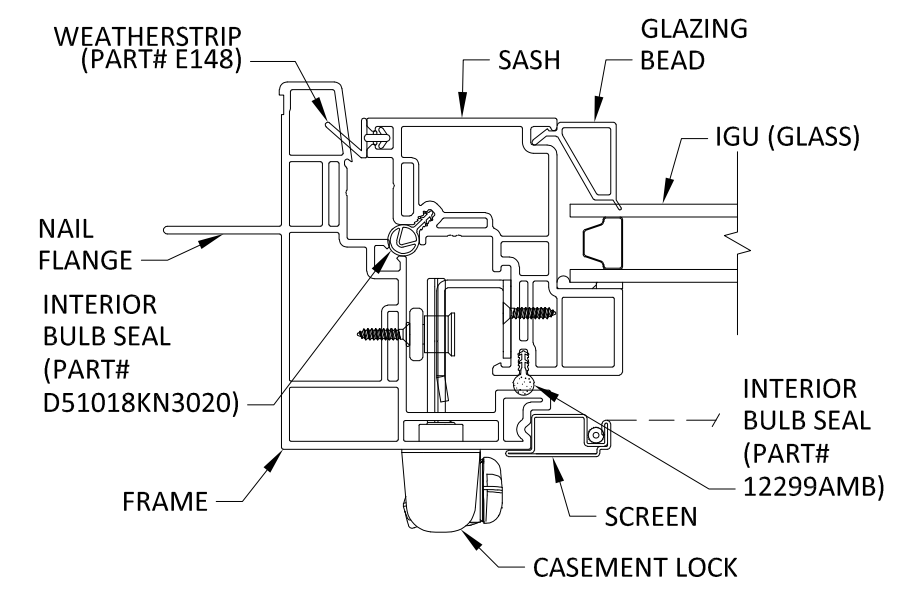
WOOD

EGRESS

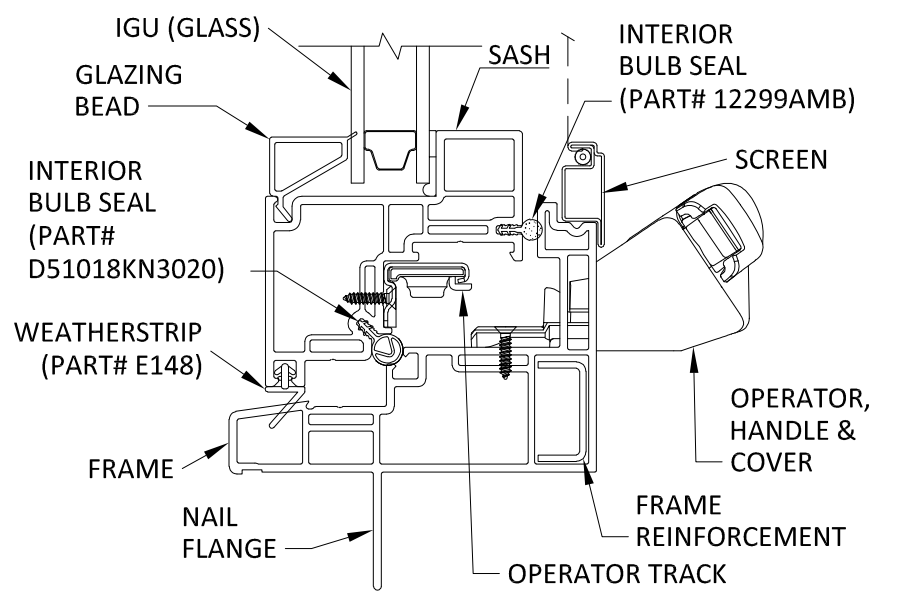
HARDWARE LIST

	FRESH AIR VENT (FAV) GRILL
	FRESH AIR VENT (FAV) OPERATOR
	CASEMENT LOCK (RIGHT & LEFT)
	CASEMENT KEEPER
	CASEMENT HINGE
	CASEMENT STUD BRACKET
	CASEMENT OPERATOR, HANDLE & COVER
	CASEMENT OPERATOR BACK PLATE
	CASEMENT HINGE TRACK
	CASEMENT TIE BAR
	CASEMENT TIE BAR GUIDE
	CASEMENT RAMP BLOCK

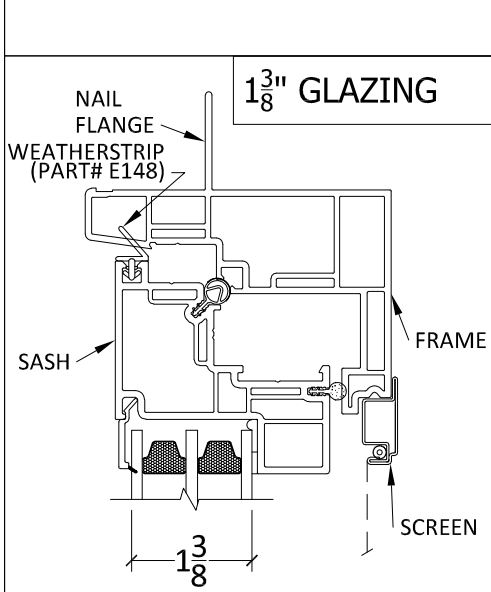
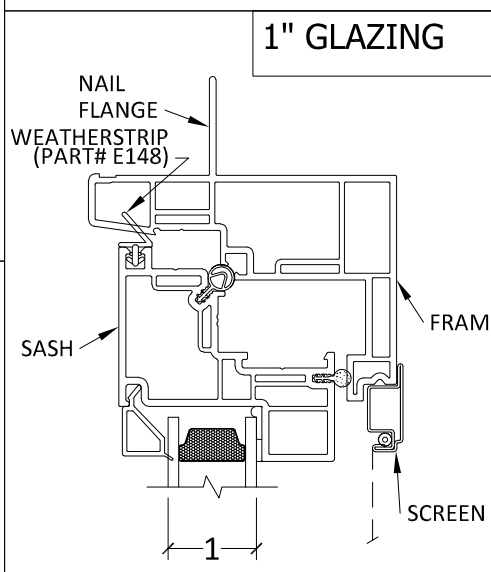
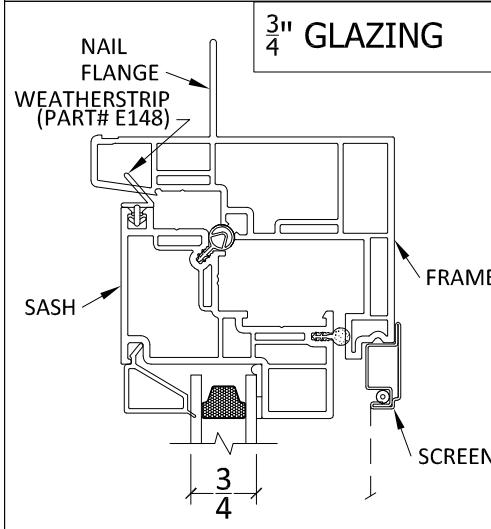
HORIZONTAL CUT SECTION



VERTICAL CUT SECTION



IGU (GLASS) OPTIONS



TOLERANCE	DRAWN	4/14/2023	
	DECIMAL	bputre	
X.X ± 0.100	CHECKED		
X.XX ± 0.025	APPROVED		
X.XXX ± 0.005	SIZE	B	SCALE NTS SHEET 1 of 1
FRACTIONAL	PRODUCT FAMILY	511 ENDURANCE	
X/X ± 1/32	PROJECT		
ANGULAR			
X ± 1.0°			
X.X ± 0.2°			

3420 E Ferry Ave. Spokane, WA 99202 • www.vpiwindows.com

THIS DOCUMENT IS PROPRIETARY AND CONFIDENTIAL. NO PART OF THIS DOCUMENT MAY BE DISCLOSED IN ANY MANNER TO A THIRD PARTY WITHOUT THE PRIOR WRITTEN CONSENT BY VPI QUALITY WINDOWS.

SHEET CASEMENT HARDWARE & GLASS DETAIL REV